

**Description**

**Strong steel layered with distinguished copper accents gives an ageless look to this highly architectural door.**

**Selling Points**

- **Very unique rustic design**
- **Hidden Frame option**
- **Exclusive Architectural handles**

Frame Specs	Regular	Hidden Frame
Frame Material	7 Gauge Steel - Bar Stock	7 Gauge Steel - Bar Stock
Frame Panel Width	4" Standard—Can be customized larger than 2"	No Visible Frame
Frame Depth	3/16" - Return can be added for \$110	3/16" - Return can be added for \$110
Door Size	3"	3"



*Shown with Hidden Frame, Natural Iron Doors, & Vintage Copper Hammered Accents*

Door Type	Default Overlap	Max Overlap	Hidden Frame	4" Frame	Custom
Masonry	Max Overlap	Traditional Doors	1/2" Overlap- per side	3.5" Overlap- per side	Frame Panel Width minus 1/2"
ZC	.5" Overlap - per side				

**Main Frame**

- **The Vintage frame cannot overlap the full frame panel width, double check your overlap in the chart above!**
- Airwash can be added to allow the doors to be closed when used in a wood burning fireplace. \$110 Retail
- Frame panels can be adjusted on all 4 sides, this adjustment does not affect the overall price as this is determined by the finished size
- Inside Fit comes standard with 2" flanges on top & sides.
- Corner doors price as 2 separate doors; if small door is less than 20" wide a 20% discount will apply
- Inside Fit doors will be sized 1/8" less than the opening per side unless finished size is specified
- 1/4" spacers will be added on ZC applications for air flow

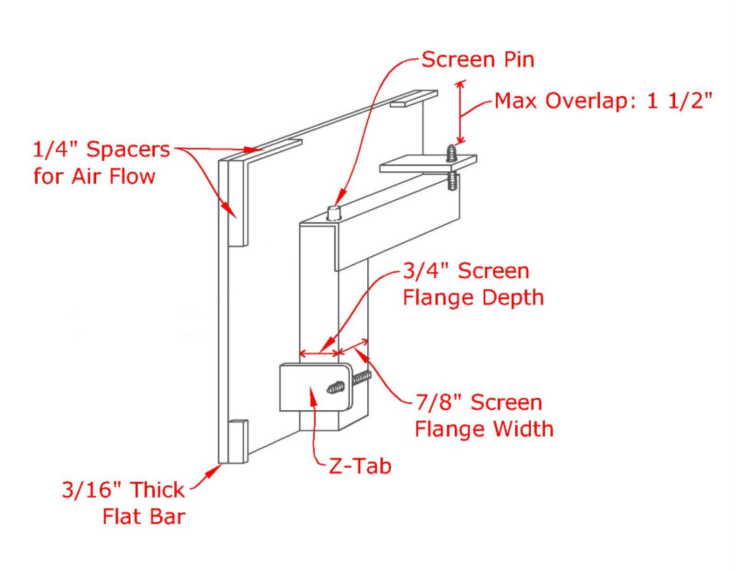
**Doors**

- Doors overlap main frame by 1", making main frame reveal 1" less than main frame width
- Pyro Glass N/A for ZC applications
- 1/4" air flow gaps in outside edge of glass for ZC applications

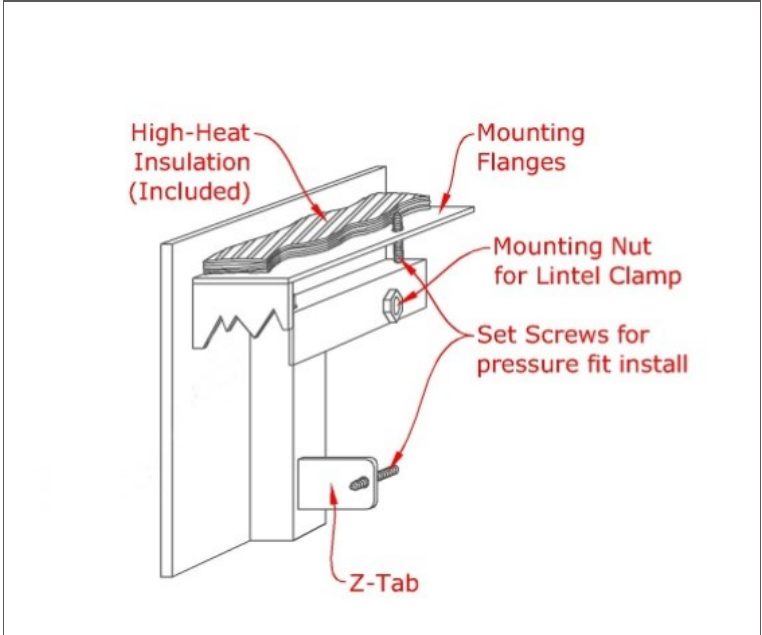
**Misc**

- If door is single hinged then mesh must be single hinged also.

**ZC Mounting**



**Masonry Mounting**



**Common Add-Ons**

Returns to Increase Depth of Frame	\$110 Retail
Custom Cutout, gas line holes, etc	\$110 Retail
Airwash	\$110 Retail
Gas Log Heat Shield to protect frame from heat/flames	\$55 Retail
Etched Glass (Cabinet)	\$440 Retail
Antique Glass	\$650 Retail