



# Freestanding Screen

*Assembly & Installation*

# Thank You!

Thank you for purchasing a Stoll Fireplace Screen! We are confident this quality product will last you for years to come. If you need further help or additional information regarding installation, please reach out to your local dealer for assistance.

## Parts & Tools

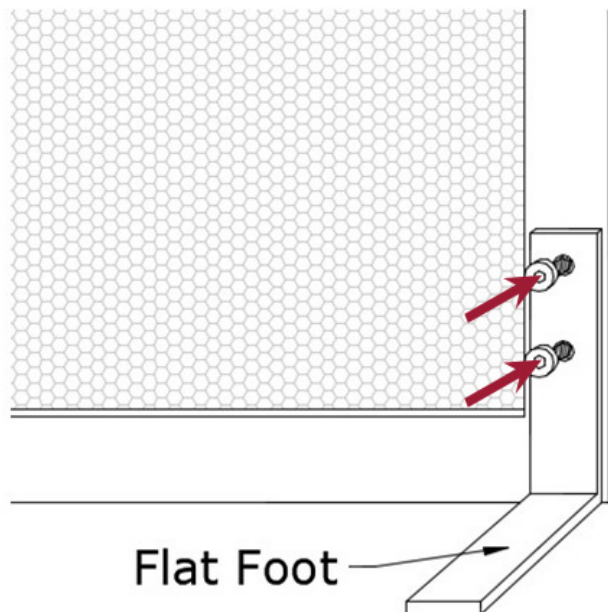
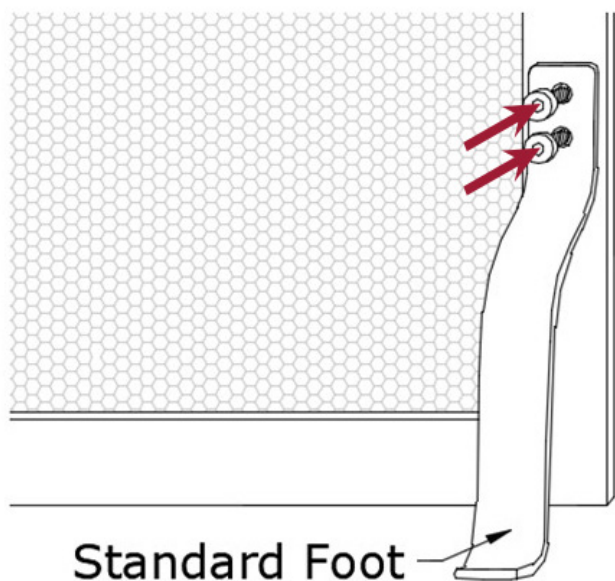
Parts and Tools		Qty
A.	Front Foot (Standard or Flat)	2
B.	Back Foot	2
C.	Hex Head Bolts	6
D.	Universal Bracket	2
E.	6" Lintel Bolt	2
F.	Allen Wrench	1
G.	Flat Washer	2
H.	Adjustment Nut	2
I.	1.25" Pressure Screw	2

*\*Your hardware kit may contain additional parts that are not required for your application.*

## Front Feet

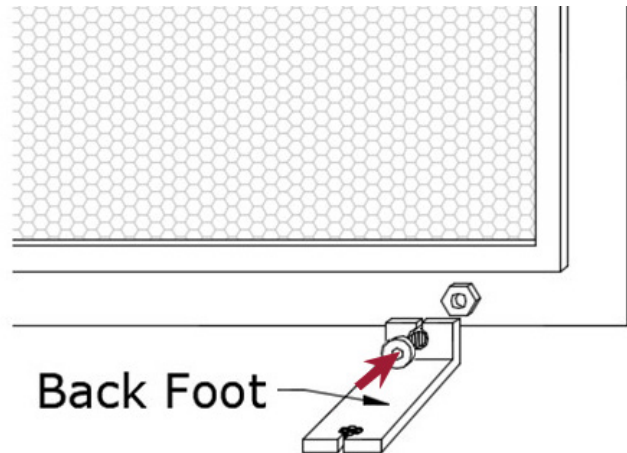
1. Attach each front foot using 2 hex head bolts (C).

*Note: Some models will arrive with the front feet pre-attached.*



## Back Feet

2. Attach each back foot using 1 hex head bolt (C).



## Working Doors (if applicable)

*Warning: Screen can tip forward when doors are opened if not fastened using one of the following mounting methods.*

### Working Doors Mounting Option 1 (masonry application only)

3a. Remove the doors from the main frame.

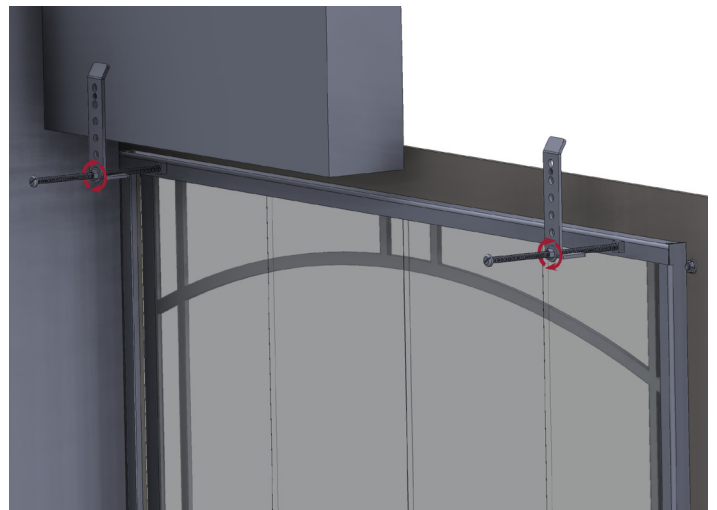
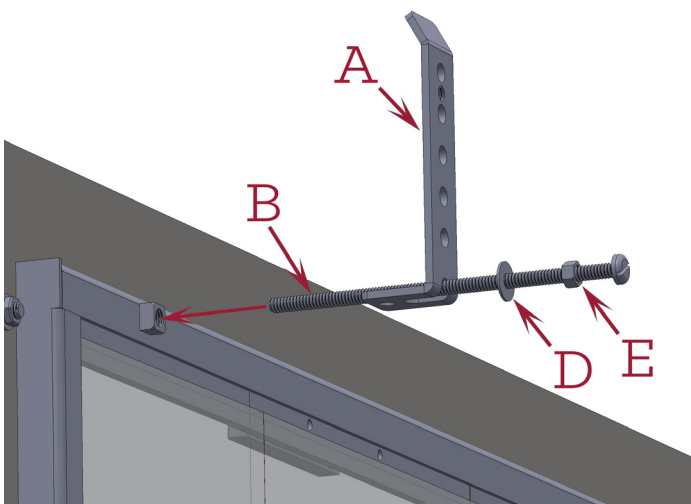
3b. Assemble two Lintel Clamps by threading an adjustment nut (H), flat washer (G), and a Universal Bracket (D) onto a 6" Lintel Bolt (E) in the order shown.

3c. Attach the assembled Lintel Clamps by fastening the 6" Lintel Bolts (E) to the mounting nuts on the top of the frame. Do not over-tighten.

3d. Center the Fireplace Enclosure frame in the fireplace opening.

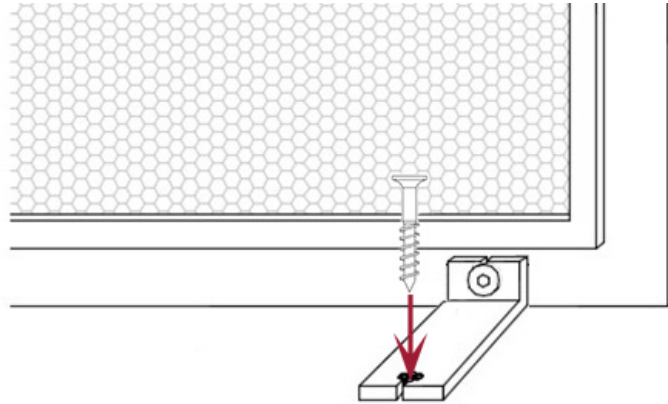
3e. Turn the Lintel Clamps up toward the top of the fireplace to grip the fireplace lintel, and tighten the adjustment nuts (H), clamping the top of the frame in place.

3f. Re-install the Doors.



## Working Doors Mounting Option 2

- 4a. Remove the mesh doors from the main frame.
- 4b. Using appropriate screws/bolts (*not provided*), attach the back screen feet securely to the hearth or firebox floor.
- 4c. Re-install the mesh doors.



## Completion

6. Enjoy your new fireplace screen!

## Cleaning & Maintenance

Your Stoll product can be cleaned using a damp cloth, or mild household cleaner. To avoid damage to the finish, cleaners containing ammonia or other harsh chemicals should be avoided.

## Warranty

Your Stoll Screen is covered by a 5 year limited warranty. For more information, please visit [www.stollindustries.com/resources/](http://www.stollindustries.com/resources/). All warranty claims must be placed through your local dealer.

### **WARNING**

This product can expose you to chemicals including Carbon Black, which is known to the state of California to cause Cancer. For more information go to [www.P65Warnings.ca.gov](http://www.P65Warnings.ca.gov)