



Masonry Fireplace Door

Overlap Fit



Installation & User Guide

Installer please leave this with homeowner

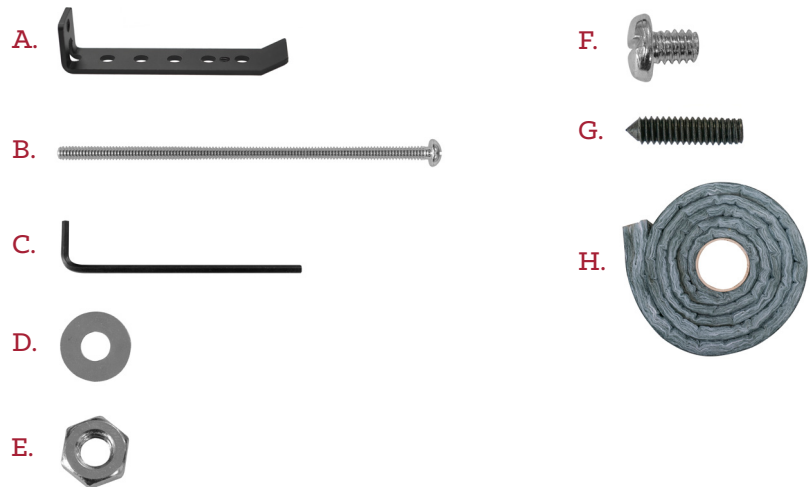
Thank You!

Thank you for purchasing a Stoll Fireplace Enclosure! We are confident this quality product will last you for years to come. If you need further help or additional information regarding installation, please reach out to your local dealer for assistance.

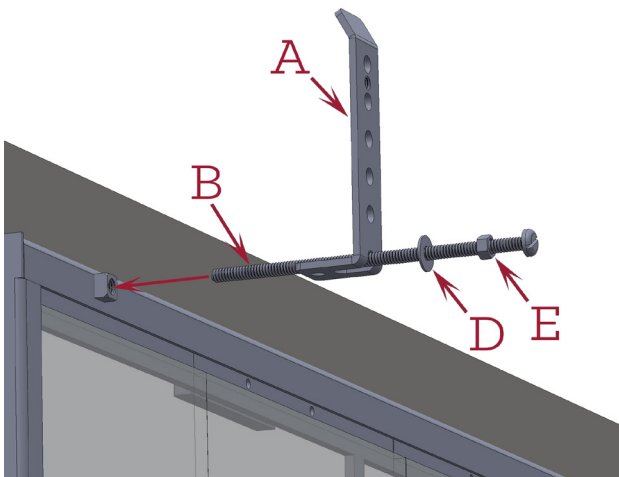
Parts and Tools

Parts and Tools		Qty
A.	Universal Bracket	4
B.	6" Lintel Bolt	2
C.	Allen Wrench	1
D.	Flat Washer	2
E.	Adjustment Nut	2
F.	3/8" Bolt	4
G.	1.25" Pressure Screw	4
H.	High Heat Insulation Roll	1

Your hardware kit may include additional parts that are not required for your application.



Installation



1. Remove the Glass Doors from the Main Frame. If the hinges have hinge pins, remove them first. Then lift up on the doors, lifting them off of their hinges.

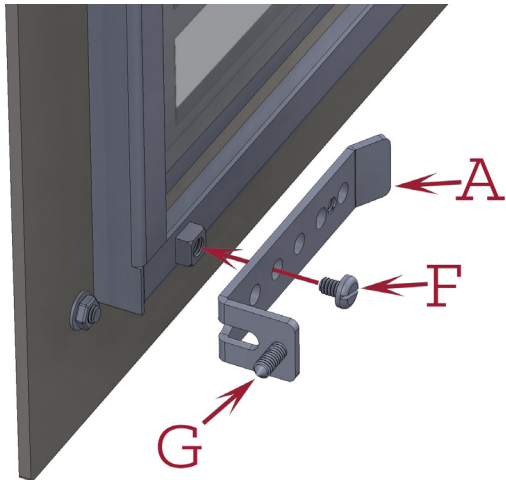
2. Remove the Cabinet Mesh Screens from the enclosure (if applicable).

If Hanging Mesh Screens were ordered, follow the separate instructions to install them now. The hanging mesh panels are packed flat between layers of cardboard. Be careful not to discard them accidentally.

3. Assemble two lintel clamps by threading an adjustment nut (E), a flat washer (D), and a universal bracket (A) onto the 6" lintel bolts (B) in the order shown.

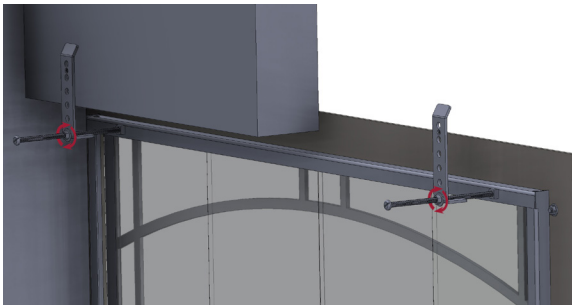
4. Thread the 6" lintel bolts of the assembled lintel clamps into the top mounting nuts welded onto the back of the frame. Do not over-tighten.

Installation continued

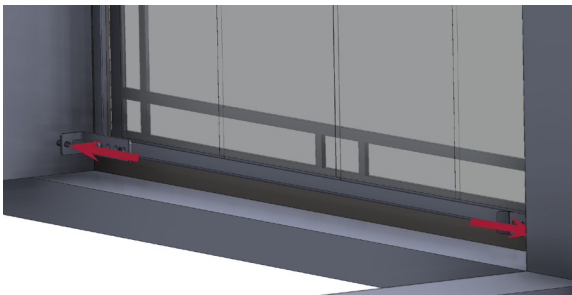


5. Assemble two pressure brackets by inserting a 2" pressure screw (G) into the threaded hole on the bottom of each universal bracket (A). Using the 3/8" bolts (F), secure the brackets to the bottom mounting nuts on the back of the frame. Position the pressure brackets to properly fit within the fireplace opening.

6. Remove any protective plastic film from any polished metal or trim on the fireplace enclosure frame/doors (if applicable).



Lintel Brackets (Top)



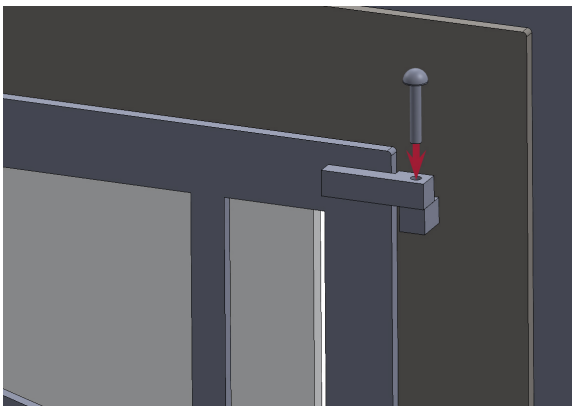
Pressure Brackets (Bottom)

7. Center the fireplace enclosure frame in the fireplace opening.

8. Insulation (H) is provided to help close rough openings and gaps if desired. Cut pieces of insulation to length and fit them into the top and both sides of the enclosure frame. If frame is also overlapping on bottom, add insulation as needed.

9. Turn the lintel clamps up toward the top of the fireplace to grip the fireplace lintel, and tighten the adjustment nuts (E), clamping the top of the frame in place.

10. Using the included allen wrench (C), tighten the pressure screws (G) against the side of the fireplace opening, securing the bottom of the frame in place.



11. Re-install the Glass Doors. If your door has temporary plastic shipping hinge screws, discard them at this time and install the metal hinge pins that are taped to the glass doors (if applicable). *NOTE: Some hinge styles do not use separate hinge pins.*

12. Re-install the Mesh Screen Doors (if applicable). A shipping spring is used on Mesh Screen Doors. The spring can be discarded or reinstalled to tighten the screen fit.

Adjustments & Alignment

IMPORTANT: Check that the Doors in the enclosure are aligned properly.

- If the Doors do not close properly, or do not lay flat against the frame, the frame is most likely twisted. It is not unusual to find that a masonry fireplace face is not perfectly flat, plumb, level, or that the opening is not perfectly square. Do not force the enclosure frame to conform to a fireplace that is not plumb or level.

Visit www.stollindustries.com/video-library/ for more videos on how to adjust your doors.

NOTE: Failure to align the Fireplace Enclosure Glass Doors properly may result in glass breakage or other damage directly attributable to improper installation.

Operation & Maintenance

- Stoll Industries fireplace doors are designed to be used with glass doors open when the fire is burning. Exceptions to this rule may include Pyro-Ceramic glass, Airwash, and Outside Air Kits. Please discuss these options with your local Fireplace Dealer, as code requirements and applications can vary.
- Excessive heat can cause damage to the Fireplace Enclosure and/or loss of temper in glass resulting in glass breakage. A very hot wood or gas fire, hot coals, embers, ashes, and/or logs coming in contact with the back of the enclosure can cause discoloration or more serious damage to the enclosure finishes. This type of damage, caused by overheating, is considered abuse and is not covered under warranty.
- If you are burning wood, and normally close the glass doors while the fire is dying down, keep in mind that this will tend to result in smoke residue or soot accumulation on the glass. If cleaned regularly this staining can be removed using glass cleaner or a mild household cleaner. For heavier stains, the use of a glass cleaner specifically formulated for removing wood smoke residue may be needed. Your local fireplace dealer can assist you in ordering this cleaner, if needed.
- Your Stoll door and door frame finish can be cleaned using a damp cloth, or mild household cleaner. To avoid damage to the finish, cleaners containing ammonia or other harsh chemicals should be avoided.

Warranty

Your Fireplace Doors are covered by a 5 year limited warranty. For more information, please visit www.stollindustries.com/resources/. All warranty claims must be placed through your local dealer.

WARNING

This product can expose you to chemicals including Carbon Black, which is known to the state of California to cause Cancer. For more information go to www.P65Warnings.ca.gov