



# Range Hood

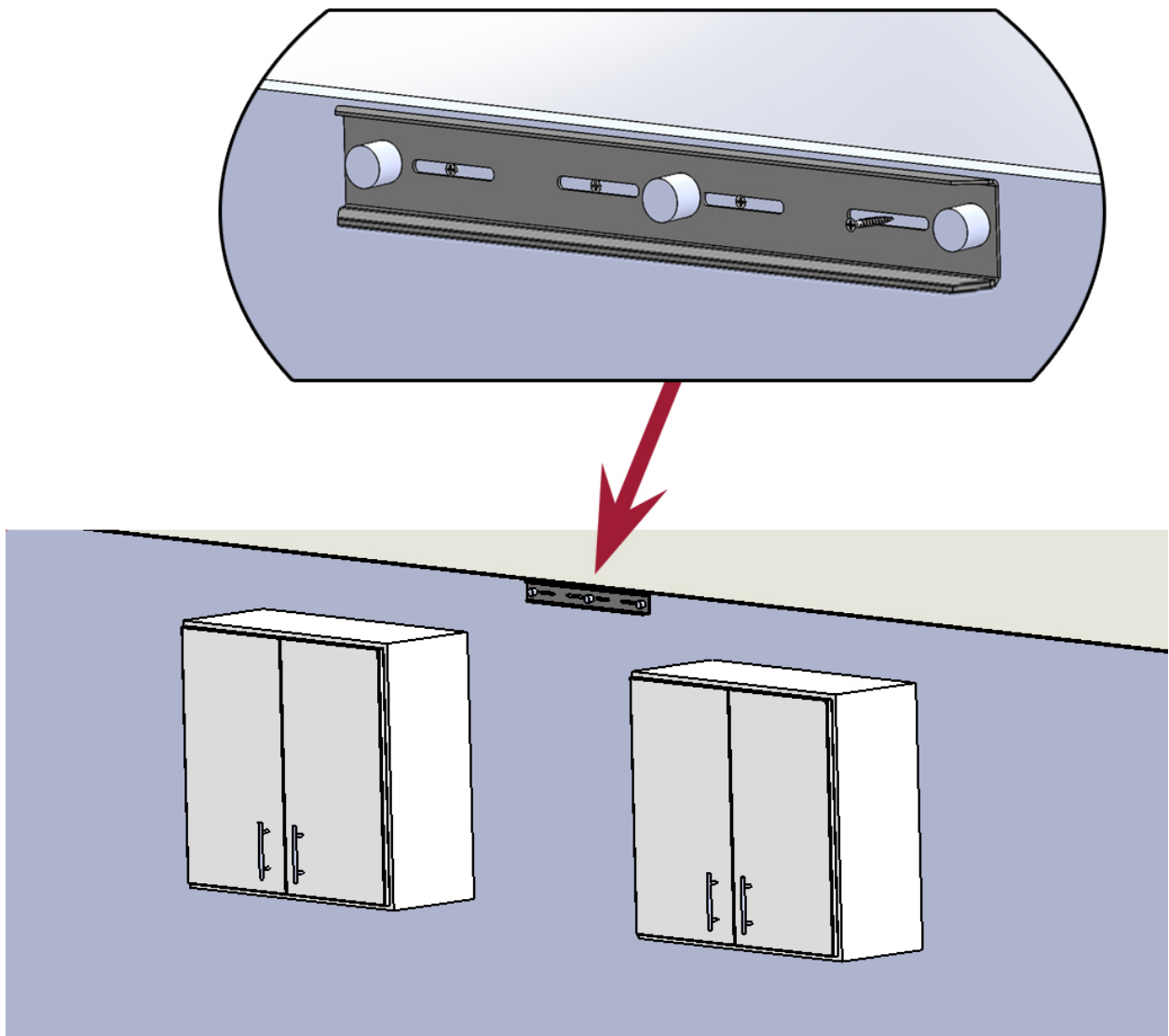
## *Assembly & Installation*

# Thank You!

Thank you for purchasing a Stoll Range Hood! We are confident this quality product will last you for years to come. If you need further help or additional information regarding installation, please reach out to your local dealer for assistance.

## Mounting Bracket

1. Locate the studs in your wall or mounting surface. Using appropriate screws/fasteners for your application, level and install the mounting bracket 1/4" below the desired location of the top of the Range Hood.
2. Attach the provided magnets to the mounting bracket.

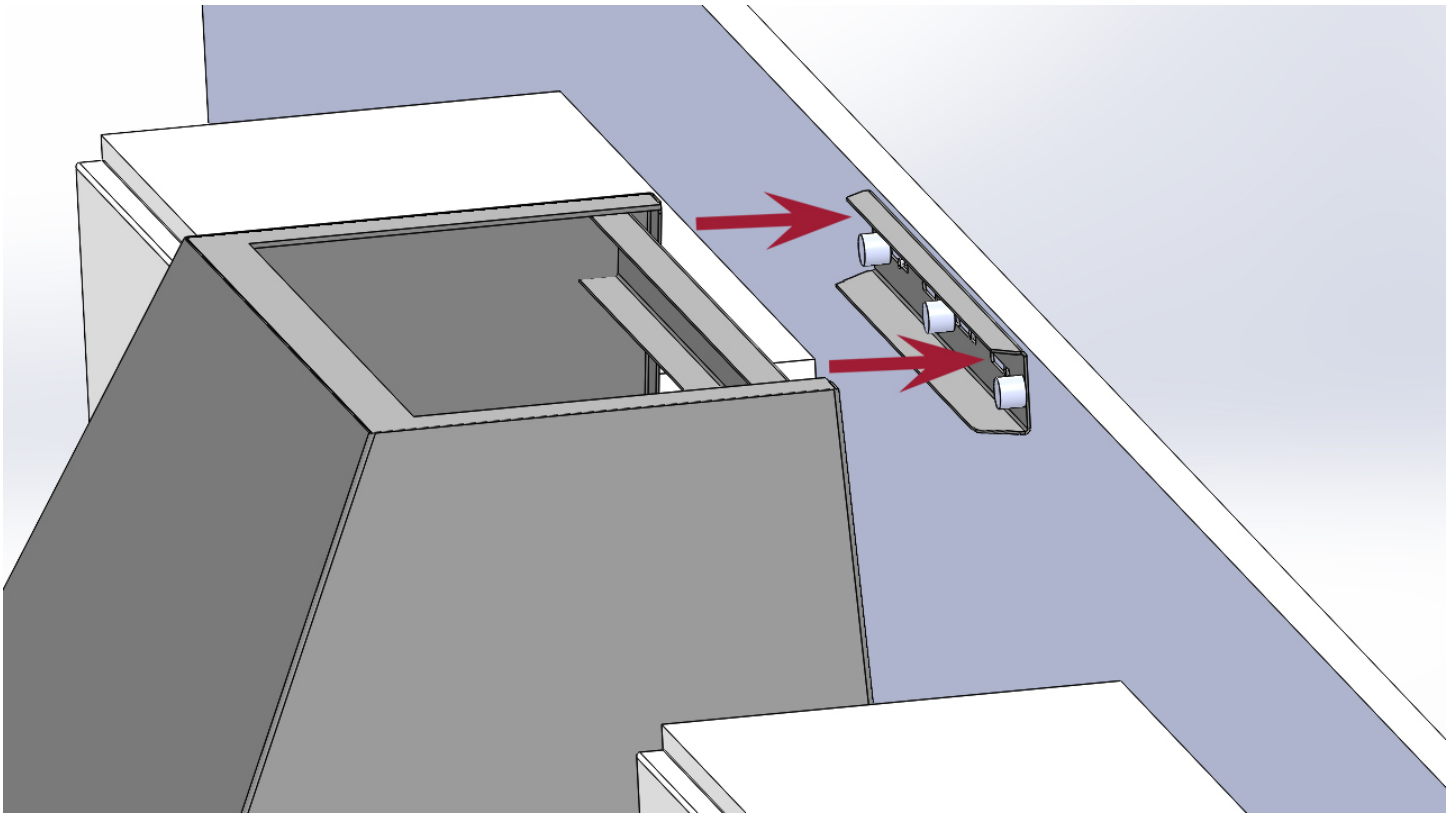


## Installation

3. If your Range Hood includes a liner (fan/blower), wait to install the liner until after the hood is installed in the desired location, and follow the steps in the correct order.

4. Lift the Hood into its desired position. The Range Hood should connect to the magnets on the top mounting bracket, indicating everything is aligned correctly.

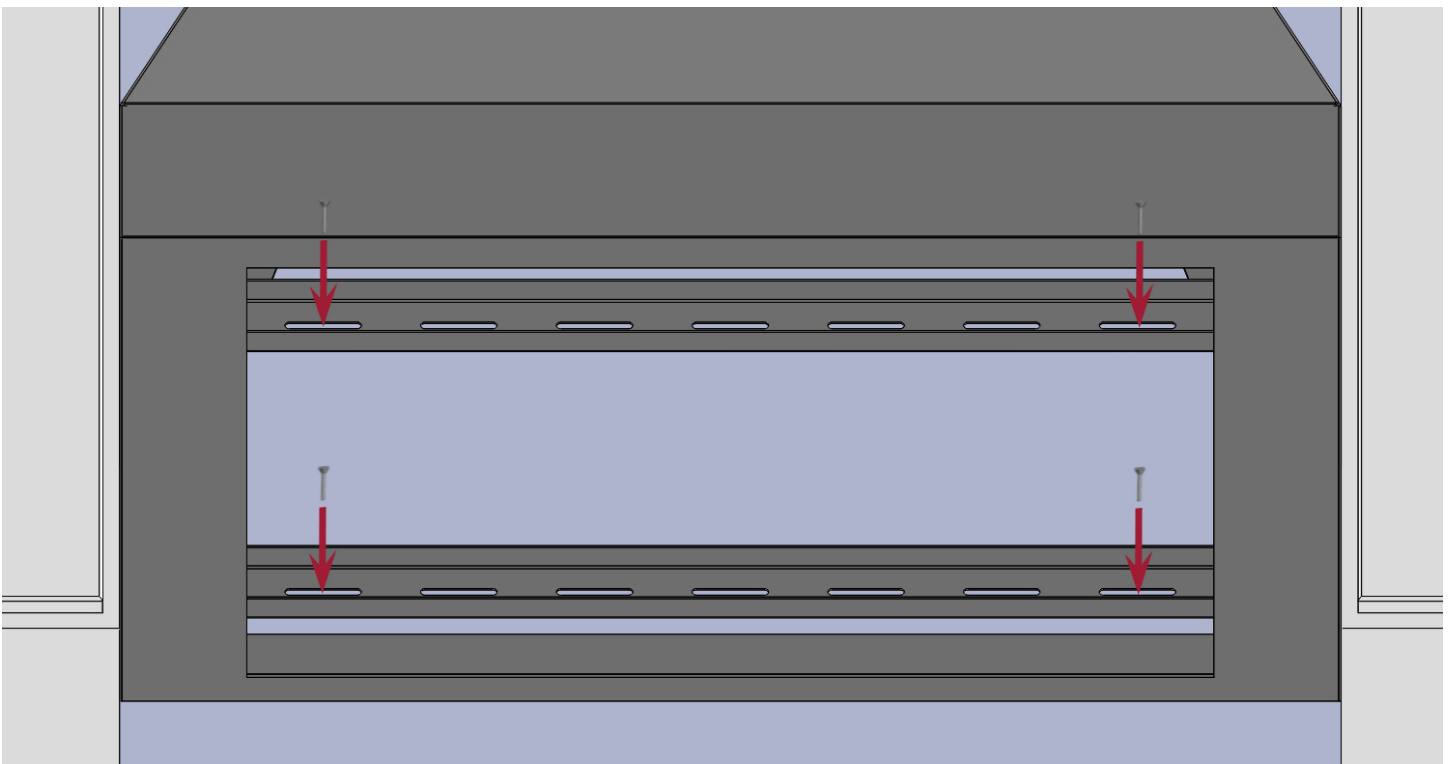
**Important Note!** *The magnets are to help align the Range Hood during installation, and are not intended to fully support the weight of the Range Hood at any time during the installation process.*



## Installation

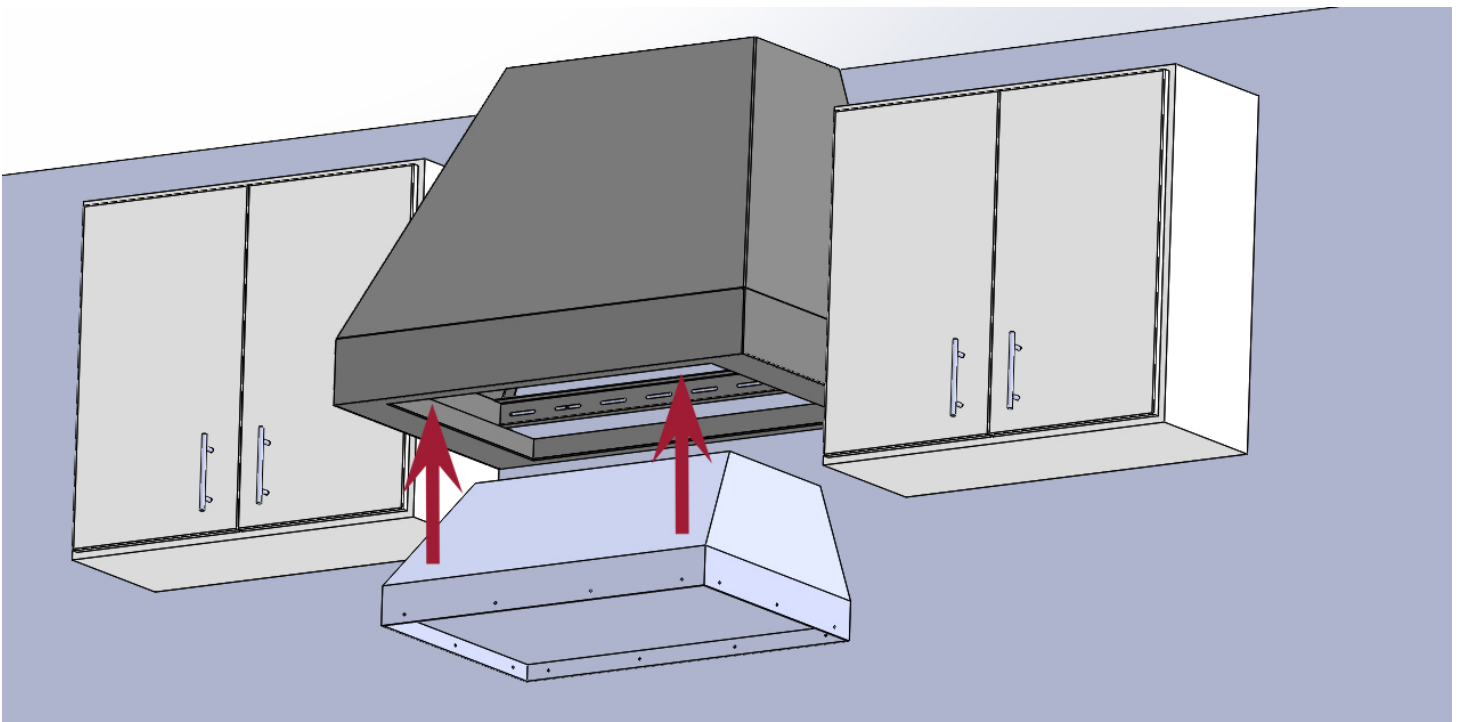
5. Using the slots in the rear horizontal brackets of the Range Hood, secure in place using the appropriate fasteners.

**Note:** *Ensure the fasteners are securely fastened to the wall studs to support the weight of the Range Hood, or use an appropriate anchor system.*



## Hood Liner

6. If your Hood includes a liner, insert it into the bottom of the hood according to the instruction manual for your particular model.

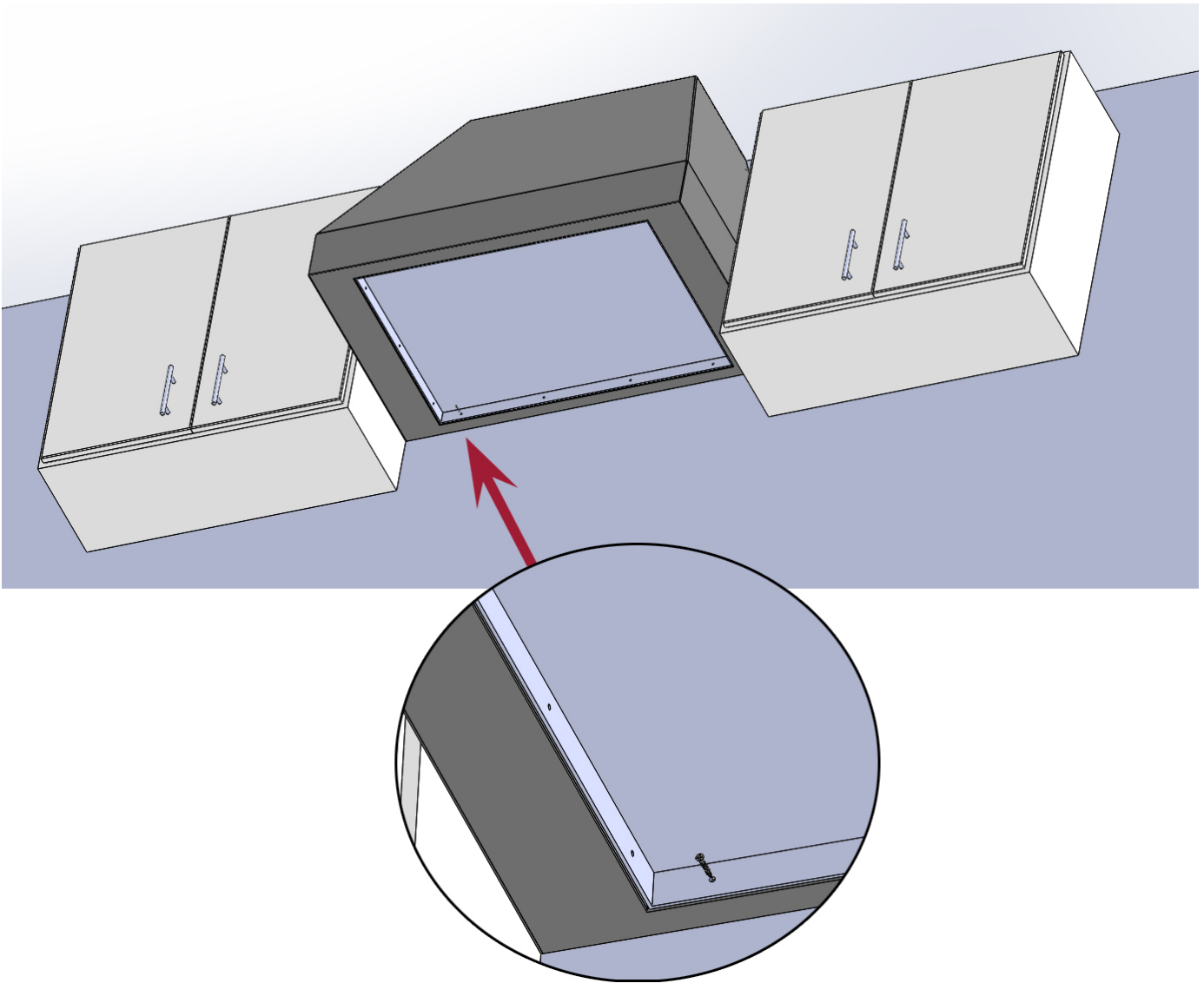


## Hood Liner

7. Install the liner in place using the method specified by the manufacturer or installation guide.

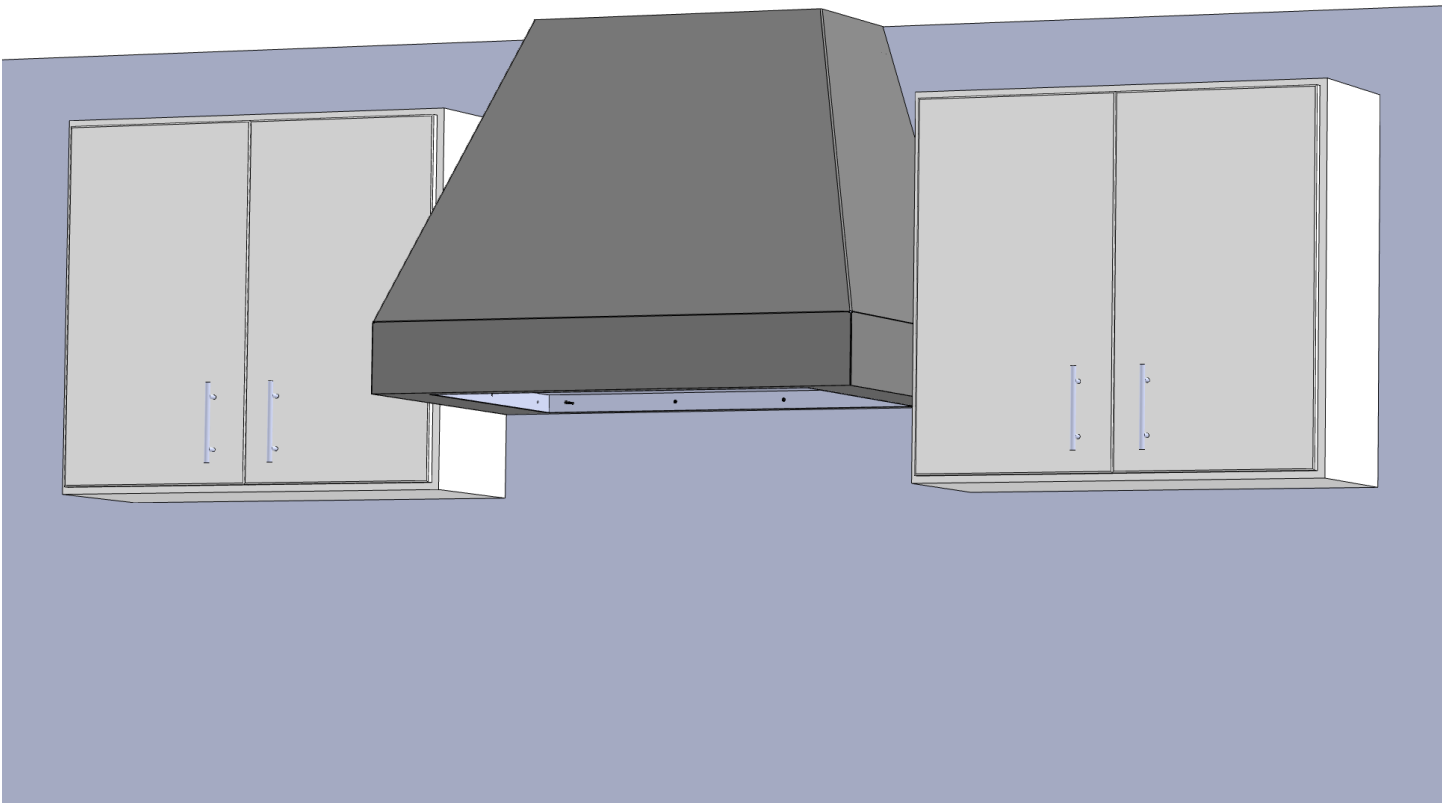
*Note: The method shown below may be different than the correct method for your particular model.*

8. If your liner contains electrical components, connect it to the appropriate power source



## Completion

8. Attach any additional vent piping or electrical components, and enjoy your finished product!



# Operation & Maintenance

- Excessive heat can cause damage to your product and the finish powdercoat. This type of damage, caused by overheating, is considered abuse and is not covered under warranty.
- Your Stoll product can be cleaned using a damp cloth, or mild household cleaner. To avoid damage to the finish, cleaners containing ammonia or other harsh chemicals should be avoided.

# Warranty

Your Stoll Products are covered by a 5 year limited warranty. For more information, please visit [www.stollindustries.com/resources/](http://www.stollindustries.com/resources/). All warranty claims must be placed through your local dealer.

## **WARNING**

This product can expose you to chemicals including Carbon Black, which is known to the state of California to cause Cancer. For more information go to [www.P65Warnings.ca.gov](http://www.P65Warnings.ca.gov)