



# Seamless Milan Fire Tables

*Assembly & Installation*

# Thank You!

Thank you for purchasing a Stoll Fire Table! We are confident this quality product will last you for years to come. If you need further help or additional information regarding installation, please reach out to your local dealer for assistance.

## Included Parts & Tools

The following parts and tools are included with your Fire Table.

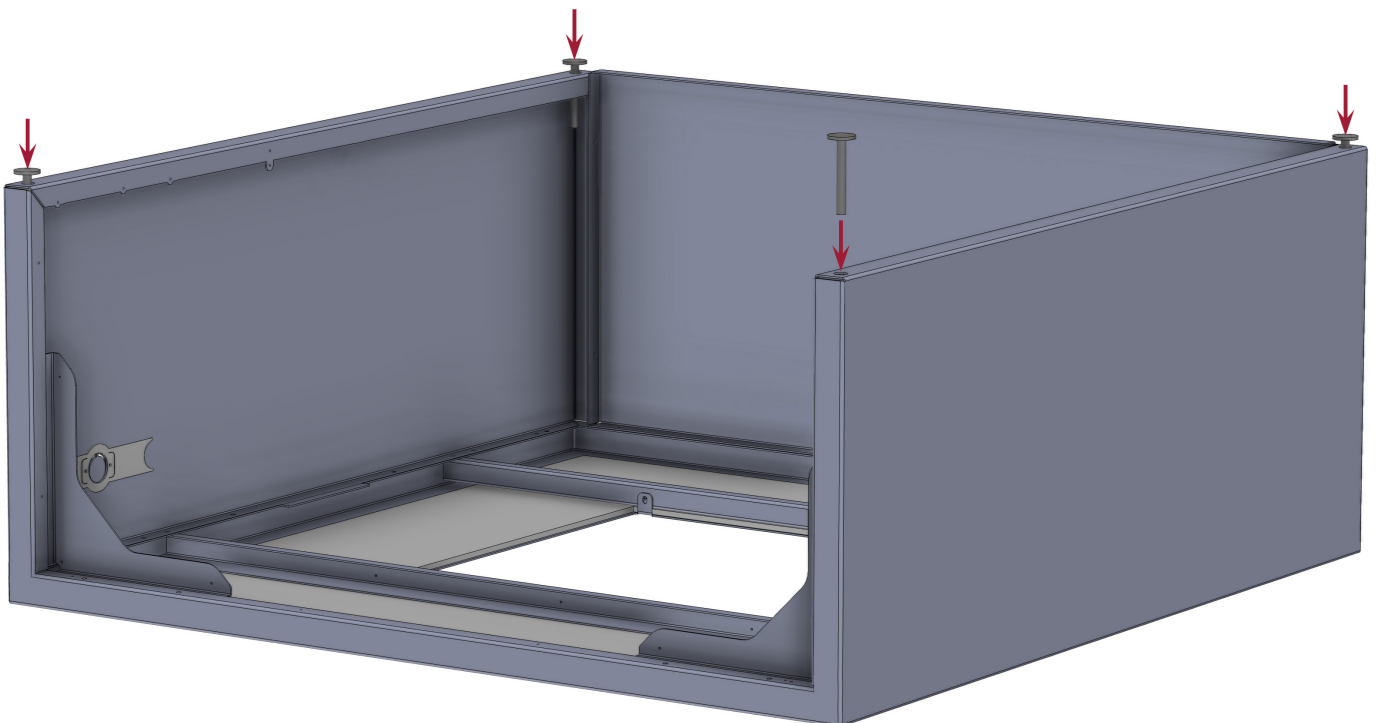
Leveling Legs: 4

---

## Fire Table Assembly

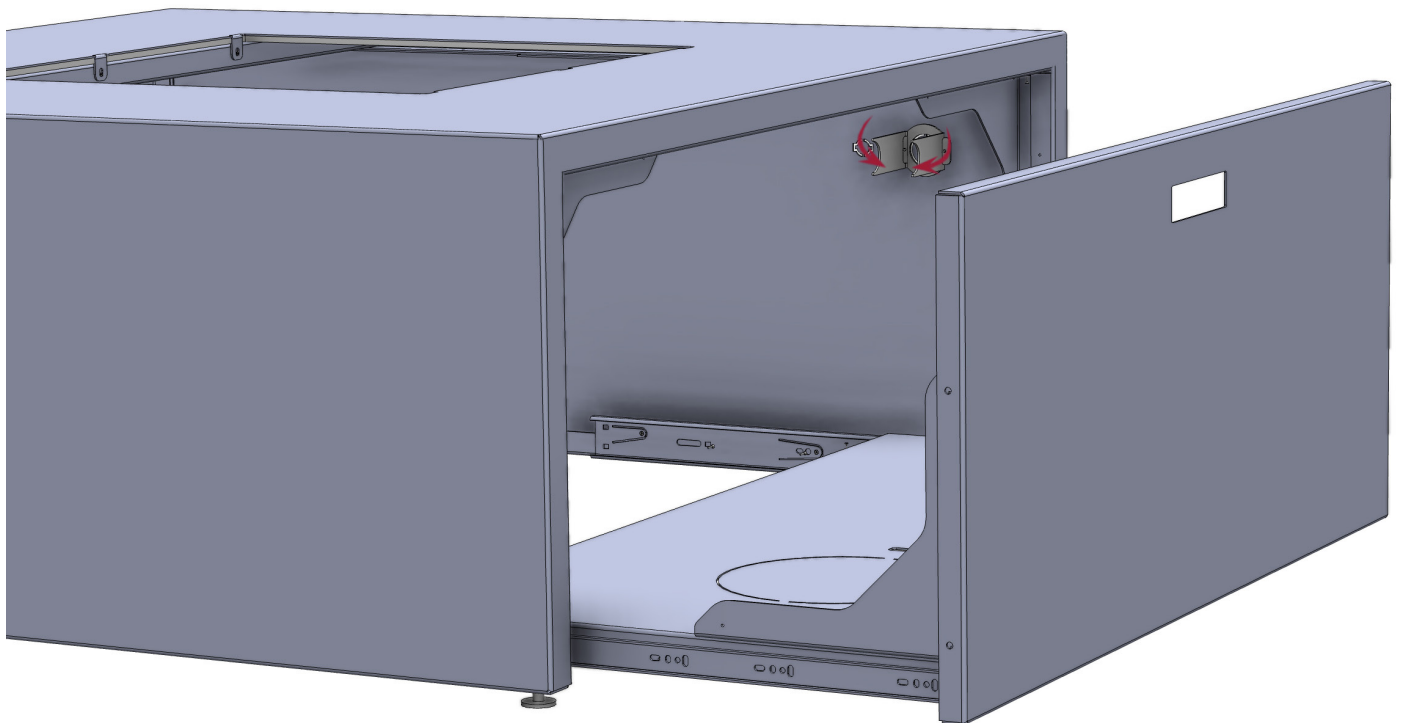
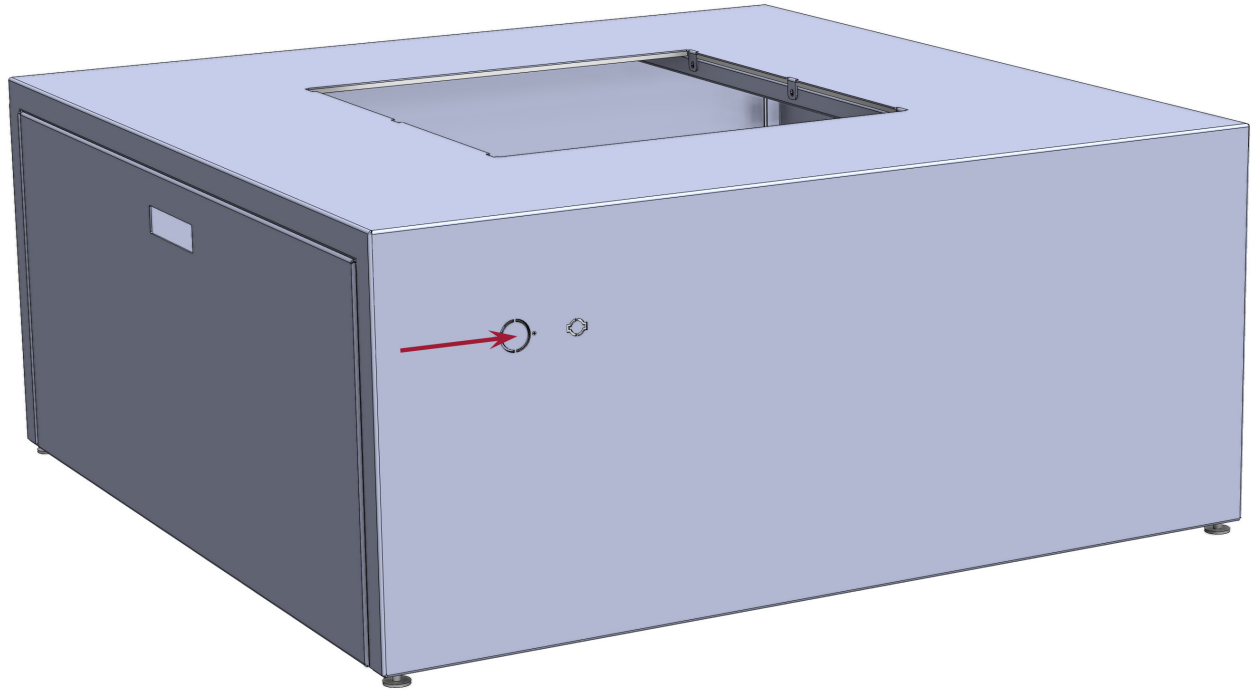
### Base & Leveling Legs

Your fire table base will arrive fully assembled. Install the included leveling legs through the threaded grommets in each corner. *Tip: Turn the fire table upside down for easier access to the leveling leg grommets. Ensure that the face is resting on a soft/non-abrasive surface to avoid scratches.*



## Burner & Gas Valve Installation

Your countertop is pre-cut to the specifications provided for your specific burner. Following the instructions provided by the burner manufacturer, install your burner into the countertop. Each Fire Table comes with a knock-out for a standard gas valve coupling, and a knock-out for an electric ignition switch (if applicable). Locate and remove the gas valve knock-out. If your burner has an electric ignition system, remove the ignition knock-out as well. Fold out the valve post wings as shown, and install the gas shutoff valve.



# Operation & Maintenance

- Excessive heat can cause damage to the finish. If the appropriate windshield is not used, damage caused by overheating is considered abuse and is not covered under warranty.
- Your Fire Table can be cleaned using a damp cloth and soap or mild household cleaner, or rubbing alcohol for tougher stains. *To avoid damage to the finish, abrasive cleaning products and cleaners containing ammonia or other harsh chemicals should be avoided. For 3rd party burners and components, please follow the manufacturers instructions for cleaning and maintenance.*
- It is recommended to wax your Fire Table at least once a year to help protect the finish against wear and fading. Any common car wax can be used.

## Warranty

Your Stoll Products are covered by a 7 year limited warranty. For more information, please visit [www.stollindustries.com/resources](http://www.stollindustries.com/resources). All warranty claims must be placed through your local dealer.

If you purchased a burner through Stoll Industries, it is warrantied by Firegear Outdoors. Stainless steel burners and pans are covered by a lifetime warranty, and additional components such as gas valves are covered by a 5 year warranty. Please contact Firegear Outdoors for any issues or warranty claims related to these products, and not Stoll Industries.

*Firegear Outdoors: 800-966-8126 ~ [info@firegearoutdoors.com](mailto:info@firegearoutdoors.com)*

## Photos of Completed Products

We would love to see pictures of your finished and installed project! Please send images to [photos@stollindustries.com](mailto:photos@stollindustries.com). High quality images will likely be featured on our social media or website!



### **WARNING**

This product can expose you to chemicals including Carbon Black, which is known to the state of California to cause Cancer. For more information go to [www.P65Warnings.ca.gov](http://www.P65Warnings.ca.gov)