



Outdoor Grill Cart

Assembly & Installation

Thank You!

Thank you for purchasing a Stoll Outdoor Kitchen! We are confident this quality product will last you for years to come. If you need further help or additional information regarding installation, please reach out to your local dealer for assistance.

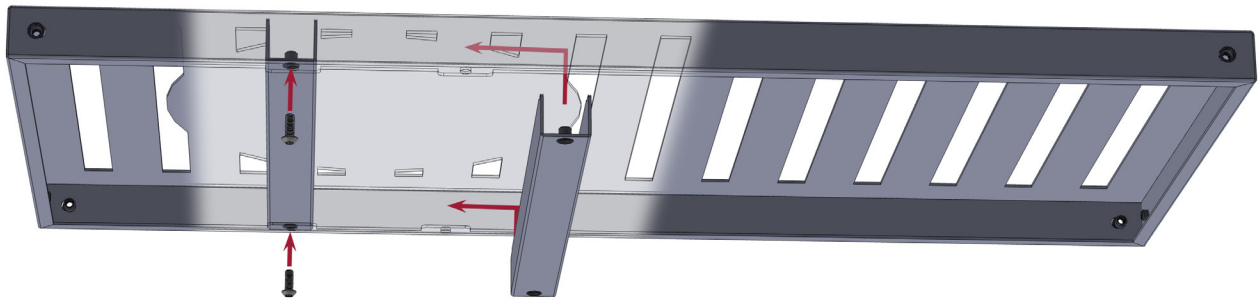
Included Parts & Tools

The following parts and tools are included with your outdoor kitchen.

Hex Head Bolts: 28

Assembly

1. Insert the two support brackets over the laser-cut notches under the shelf component. Secure them in place with 4 of the included hex head bolts. *If your cart does not include a grill cutout, skip this step and proceed to step 2.*



2. Install each of the four legs onto the shelf component, securing them in place with 8 of the included hex head bolts. Install the legs with casters nearest the grill support brackets.

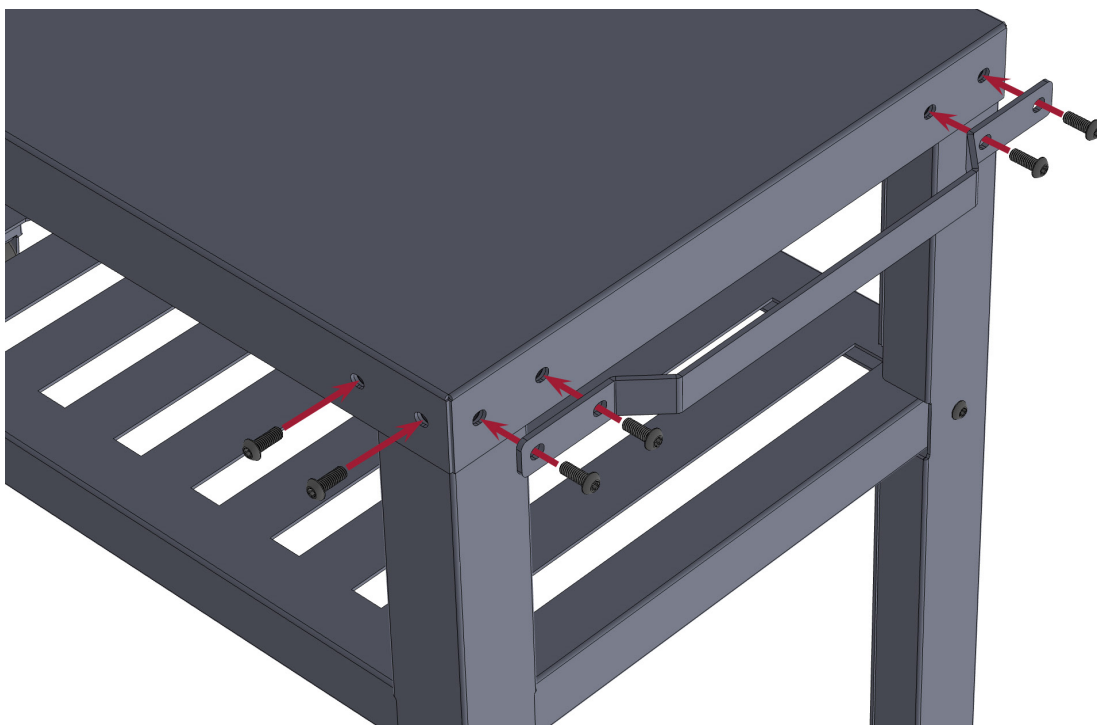


Assembly Continued

3. Lower the countertop into place on top of the assembled legs and shelf. *Tip: Make sure the laser-cut hole for your grill lines up with the supports in the shelf below.*



4. Fasten the countertop to the legs with 16 of the hex head bolts. *Note: The bolts that secure the countertop to the legs also secure the handle in place. Install the handle on the opposite end from the grill accessory hooks.*



Grill Installation

5. Prepare your grill following the manufacturers instructions. Insert your grill through the laser-cut hole in the countertop, and install any desired components and accessories.



Warranty

Your Stoll Products are covered by a 7 year limited warranty. For more information and to view the maintenance and cleaning guide, please visit www.stollindustries.com/resources. All warranty claims must be placed through your local dealer.

WARNING

This product can expose you to chemicals including Carbon Black, which is known to the state of California to cause Cancer. For more information go to www.P65Warnings.ca.gov