

## Access Doors for 3rd Party Applications

### Assembly & Installation

#### Overview:

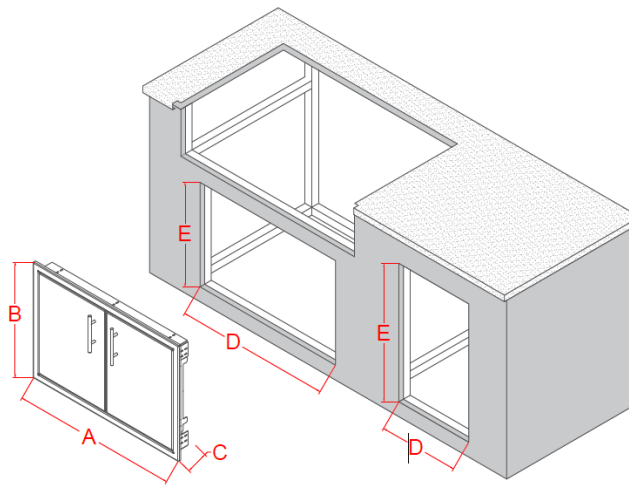
This installation manual provides step-by-step instructions for installing and setting up your Stoll components in a 3rd party application. Following the instructions in the order presented will help ensure a smooth and efficient setup.

#### Tools You Will Need:

- Fasteners. *Selection should be based specific to your application.*
- Drill.
- Phillips Head Screw Driver.

#### Parts:

- Aluminum construction access panel(s) with stainless steel hardware.
- Aluminum component face ring.



*This table provides the model-specific dimensions required for proper installation of each component. Use it to determine the correct cutout size and to understand the finished size once the component face ring is installed.*

| Model         | Overall Dimensions |            |           | Cutout Size |            |
|---------------|--------------------|------------|-----------|-------------|------------|
|               | Width (A)          | Height (B) | Depth (C) | Width (D)   | Height (E) |
| SAAD1520-R-FR | 17 1/2"            | 22 1/4"    | 3 1/4"    | 15 7/8"     | 20 5/8"    |
| SAAD1520-L-FR | 17 1/2"            | 22 1/4"    | 3 1/4"    | 15 7/8"     | 20 5/8"    |
| SAAD1526-R-FR | 17 1/2"            | 28 3/4"    | 3 1/4"    | 15 7/8"     | 27 1/8"    |
| SAAD1526-L-FR | 17 1/2"            | 28 3/4"    | 3 1/4"    | 15 7/8"     | 27 1/8"    |
| SAAD2120-R-FR | 23 1/2"            | 22 1/4"    | 3 1/4"    | 21 1/8"     | 20 5/8"    |
| SAAD2120-L-FR | 23 1/2"            | 22 1/4"    | 3 1/4"    | 21 1/8"     | 20 5/8"    |
| SAAD2126-R-FR | 23 1/2"            | 28 3/4"    | 3 1/4"    | 21 1/8"     | 27 1/8"    |
| SAAD2126-L-FR | 23 1/2"            | 28 3/4"    | 3 1/4"    | 21 1/8"     | 27 1/8"    |
| SAAD3013-FR   | 32 5/16"           | 22 1/4"    | 3 1/4"    | 30 5/8"     | 20 5/8"    |
| SAAD3020-FR   | 32 5/16"           | 22 1/4"    | 3 1/4"    | 30 5/8"     | 20 5/8"    |
| SAAD3026-FR   | 32 5/16"           | 28 3/4"    | 3 1/4"    | 30 5/8"     | 27 1/8"    |
| SAAD3620-FR   | 38 5/16"           | 22 1/4"    | 3 1/4"    | 36 5/8"     | 20 5/8"    |
| SAAD4220-FR   | 44 5/16"           | 28 3/4"    | 3 1/4"    | 42 5/8"     | 20 5/8"    |

# Installation Instructions

## Step 1: Unboxing & Handle Setup

- Carefully remove the access doors and component face ring from the packaging.
- Cut the zip ties securing the hinges to the face ring.
- Press the release button on each hinge to separate the hinge from the hinge plate.  
*(Detail A)*
- The handles are pre-installed on the back of the door. Remove and reinstall them on the front face of the door. *(Detail B)*

## Step 2: Installing the Component Face Ring & Doors

- Install the component face ring into the cutout using the mounting holes located along the back flange of the component ring.
- Using fasteners appropriate to the application, secure the component face ring to the opening

## Step 3: Door Adjustment

- Reattach the door(s) to the hinge plates. The hinge will click into place when properly aligned.
- Locate the two adjustment screws on each hinge. As needed, tighten or loosen the screws on each hinge to adjust the door position within the trim ring. *(Detail C)*

