

## Double Dry Storage for 3rd Party Applications

### Assembly & Installation

#### Overview:

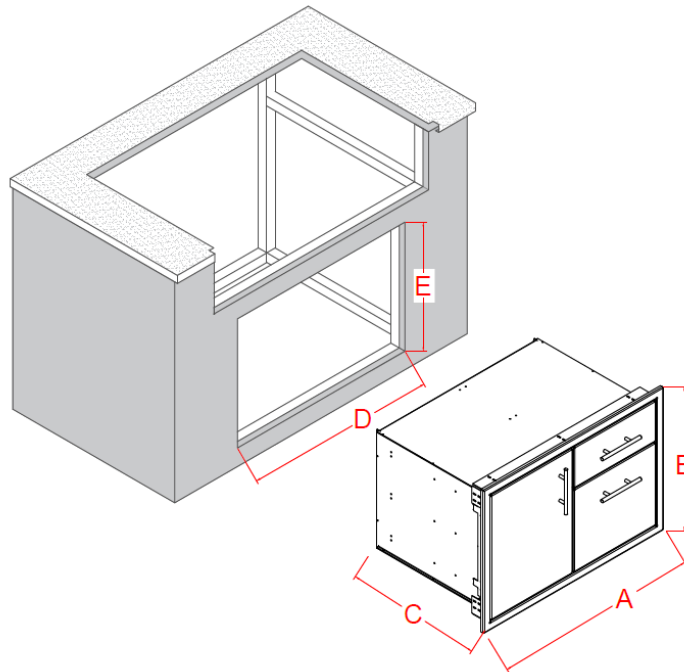
This installation manual provides step-by-step instructions for installing and setting up your Stoll components in a 3rd party application. Following the instructions in the order presented will help ensure a smooth and efficient setup.

#### Tools You Will Need:

- Fasteners. Selection should be based specific to your application.
- Drill.
- Phillips Head Screw Driver.

#### Parts:

- Aluminum construction storage drawers, shells, and access doors with stainless steel hardware.
- Aluminum component face ring.



*This table provides the model-specific dimensions required for proper installation of each component. Use it to determine the correct cutout size and to understand the finished size once the component face ring is installed.*

Model	Overall Dimensions			Cutout Size	
	Width (A)	Height (B)	Depth (C)	Width (D)	Height (E)
SA2DRD3020-FR	32 5/16"	22 1/4"	20 3/4"	30 5/8"	20 5/8"
SA2DRD3620-FR	38 5/16"	22 1/4"	20 3/4"	36 5/8"	20 5/8"
SA3DRD3020-FR	32 5/16"	22 1/4"	20 3/4"	30/58"	20 5/8"
SA3DRD3620-FR	38 5/16"	22 1/4"	20 3/4"	36 5/8"	20 5/8"
SADRD1526-L-FR	17 1/2"	28 3/4"	20 3/4"	15 7/8"	27 1/8"
SADRD1526-L-FR	17 1/2"	28 3/4"	20 3/4"	15 7/8"	27 1/8"

# Installation Instructions

## Step 1: Unboxing & Handle Setup

- Carefully remove the component and component face ring from the packaging.
- Press the release button on each hinge to separate the hinge from the hinge plate.
- Once the hinge is separated, unscrew the hinge plate from the component shell. (Detail A)
- The handles are pre-installed on the back of the doors and drawers. Remove and reinstall them on the front faces. (Detail B)
- Remove the drawers from the component shell by pressing the release tabs on either side of the drawer simultaneously. \*\*Note: The tabs may need to be pressed either up or down. (Detail C)

## Step 2: Installing the Component Face Ring and the Component Shell

- Install the component face ring into the cutout using the mounting holes located along the back flange of the component ring.
- Using fasteners appropriate to the application, secure the component face ring to the opening.
- Place the component shell into the component face ring.
- Using the provided self-tapping screws, secure the shell to the face ring.

## Step 3: Reinstalling the Doors and Drawers

- Carefully align each drawer with the drawer slides inside the component shell.
- Push the drawer to its closed position to engage the slide.
- Align and secure the hinge plates to the shell using the original location.
- Reattach the door to the hinge plates. The hinge will click into place when properly aligned.
- Locate the two adjustment screws on each hinge. As needed, tighten or loosen the screws on each hinge to adjust the door position within the trim ring. (Detail D)

