



Outdoor Kitchens

Assembly & Installation

Thank You!

Thank you for purchasing a Stoll Outdoor Kitchen! We are confident this quality product will last you for years to come. If you need further help or additional information regarding installation, please reach out to your local dealer for assistance.

Tools Required

Power drill or driver

Phillips head bit

Rubber mallet

Level

9/16" wrench, socket, or ratchet; optional drill extension bar

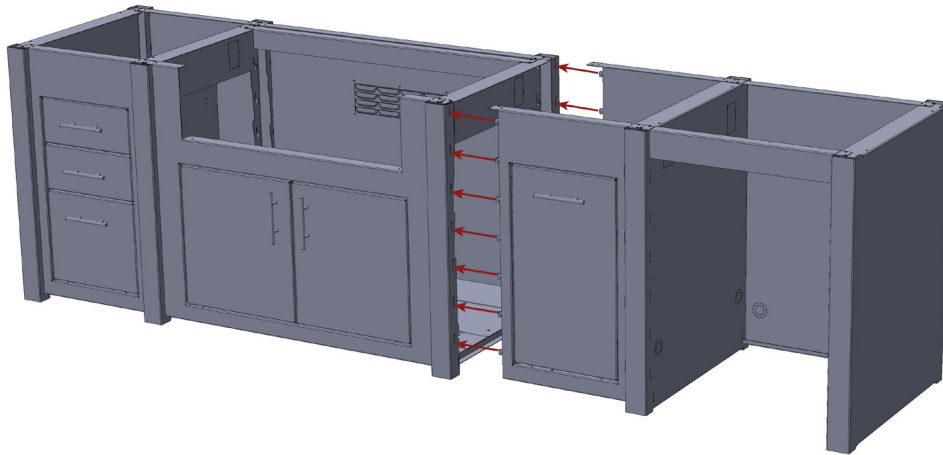
Photos of Completed Products

We would love to see pictures of your finished and installed project! Please send images to photos@stollindustries.com. High quality images will likely be featured on our social media or website!



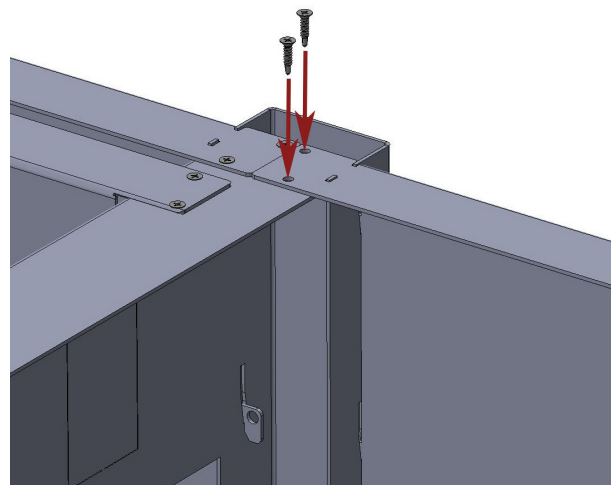
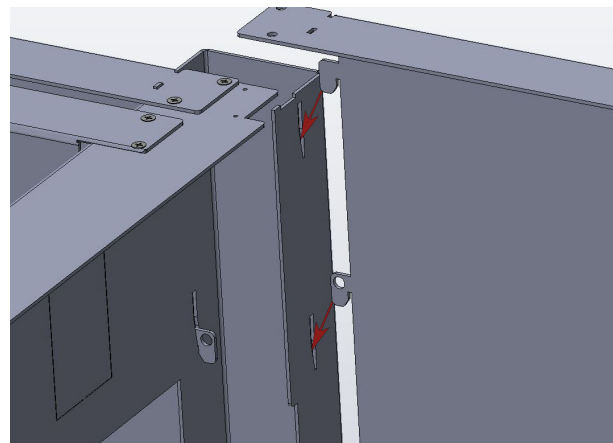
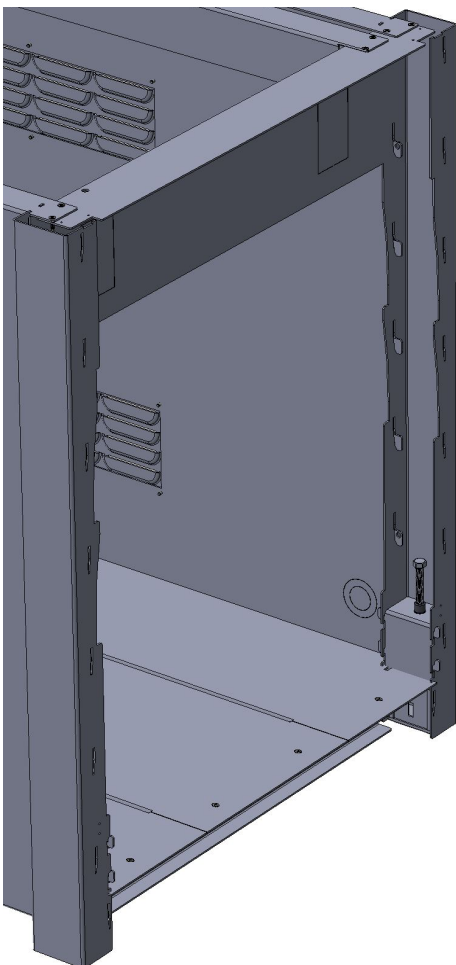
Shell Construction

Your kitchen should arrive pre-assembled, however large kitchens may arrive in multiple sections. If your kitchen contains multiple sections please see the following instructions. Otherwise, skip to page 4.



The primary fastening mechanism is a slot and cleat system.

Connect your kitchen sections by sliding the cleat system of each section into the corresponding slots of the adjoining section, as shown. Using a rubber mallet, ensure cleats are fully seated.



Floor System

The floor system consists of three panels. The back and front panels are identical. Place the back panel flat inside the frame, ensuring that it is flush against the rear wall of the cabinet.

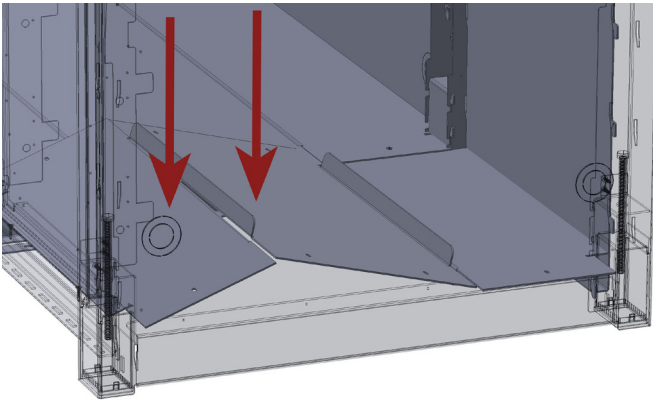
For storage components that contain a shell, ensure that the middle panel has the flanges facing upward. The flanges will act as supports for the component shell.

For access doors, the flanges will face downward. This will give a flat surface for cabinet storage.

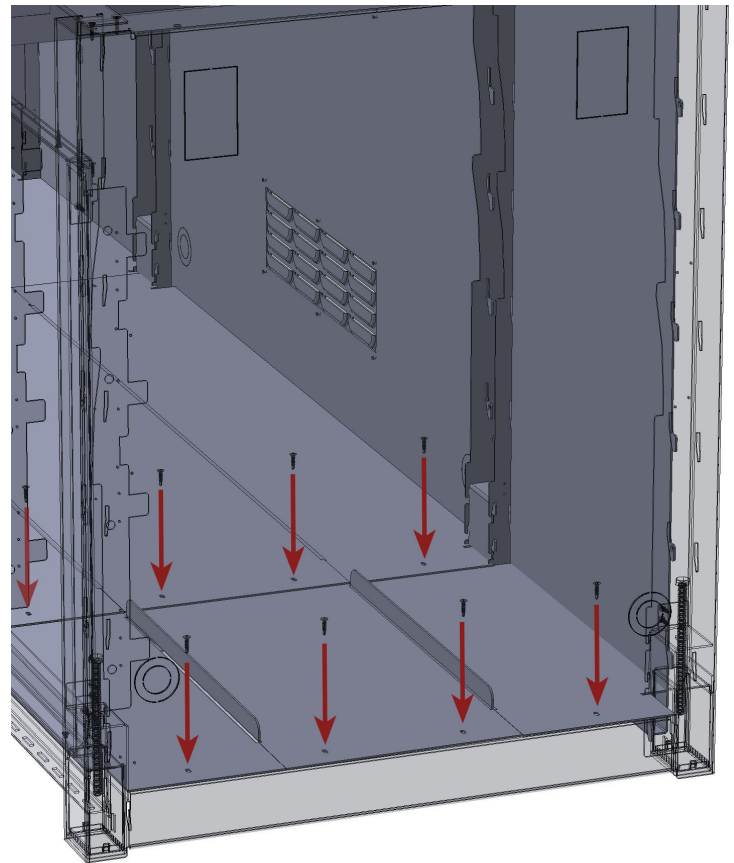
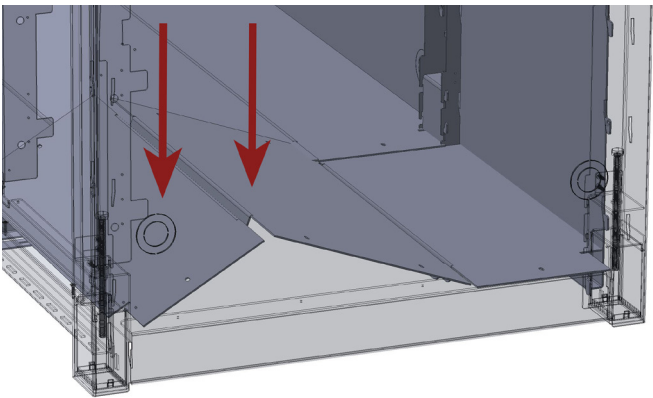
Position the middle and front panels at a slight upward angle, as shown below. Once aligned, apply pressure at the seam and lower both panels simultaneously.

Using the provided screws, secure the floor system to the verticals, as shown.

Flange Up



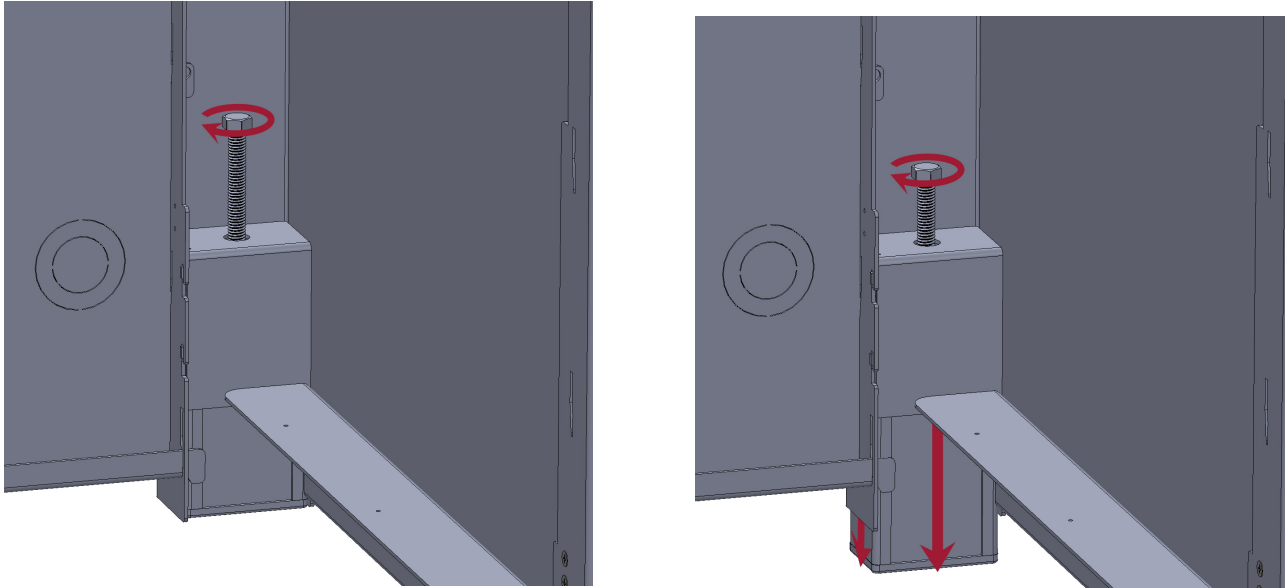
Flange Down



Leveling the Outdoor Kitchen

To level the outdoor kitchen, locate the leveling leg assemblies at the front and back of each vertical.

Place a level on top of the outdoor kitchen. Using a 9/16" socket with your preferred driver, turn the bolt on leveling leg assembly to raise or lower the legs as needed. Adjust each leg individually until the entire kitchen is level.



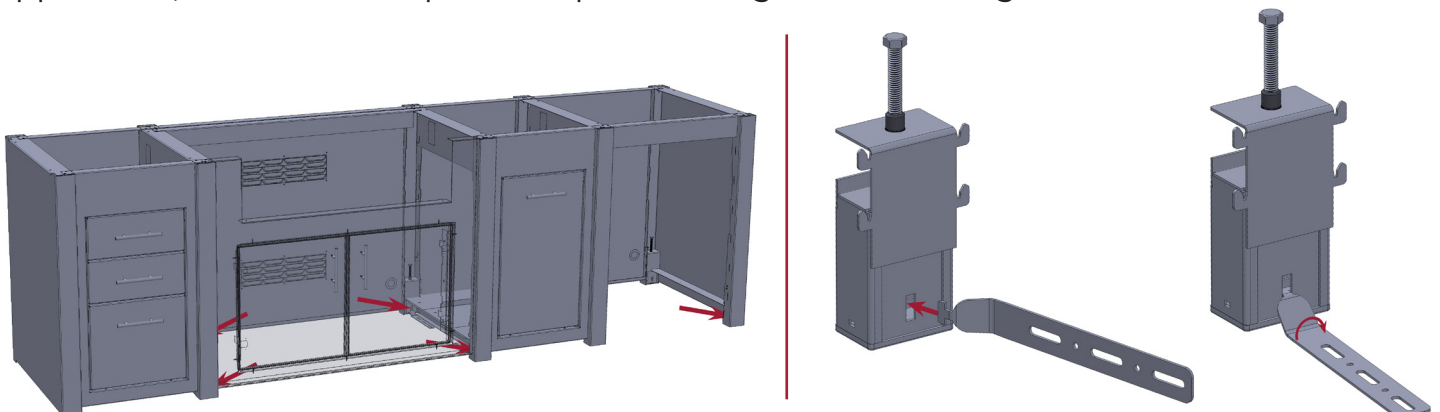
Tie Down Straps ****Optional****

Tie-down straps are included with every outdoor kitchen order. The use of the straps is optional and left to the discretion of the installer.

The kitchen must be fully leveled before installing the straps.

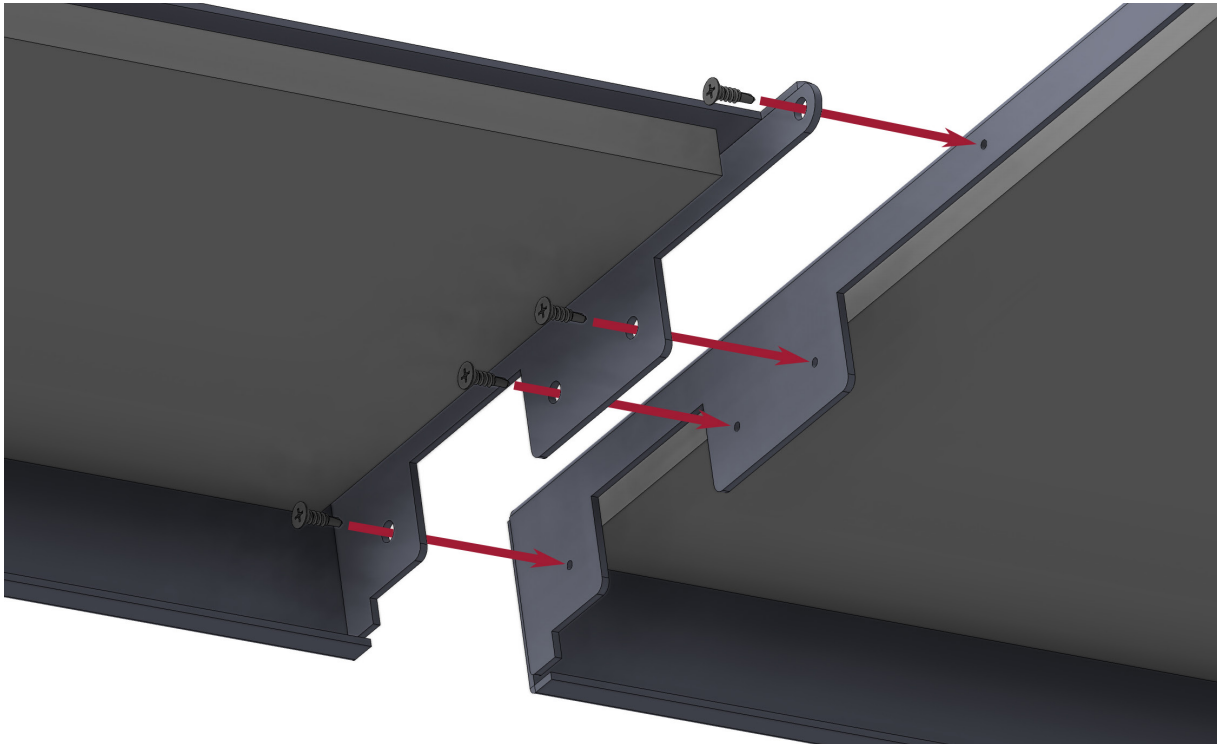
To install the tie-down straps, the floor panels must be removed to access the leveling leg assemblies and to secure the straps to the patio surface. It is recommended to remove floor panels in areas with easier access, such as access door sections. If straps are installed in a section containing a components box or shell, the entire component must be uninstalled to allow the removal of the floor panels.

Once access to the leveling feet is available, punch out the slot on the leveling foot and insert the tie-down strap as shown. Using fasteners appropriate for your specific application, secure the straps to the patio through the mounting slots.

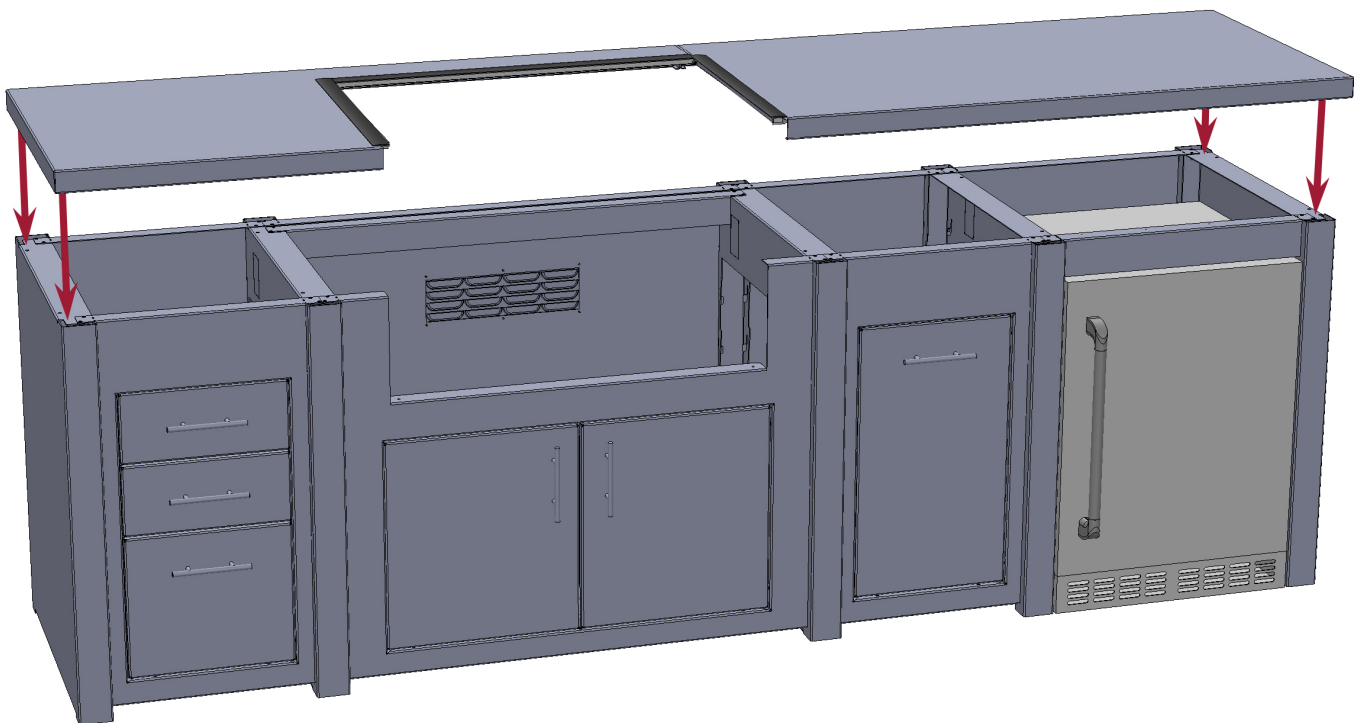


Countertop Installation

If your countertop has multiple sections, fasten them together with the provided screws. Each section has pre-drilled holes corresponding with the next section.

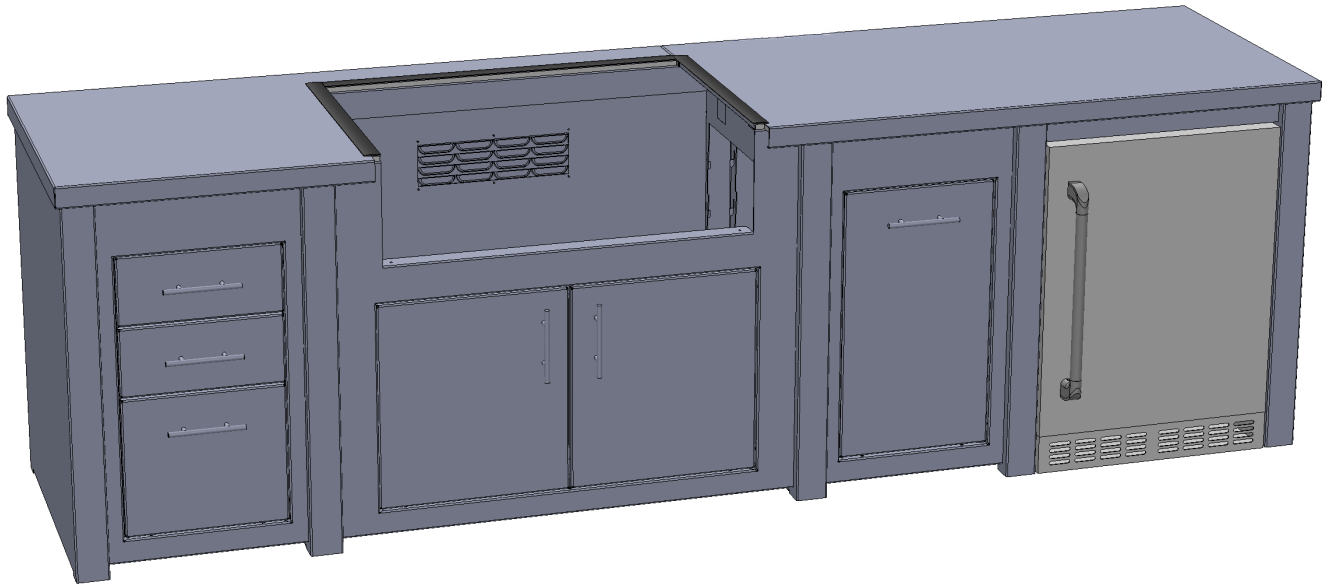


Lower the countertop into place on top of the kitchen. The countertop should cover the top of the kitchen base. *Glue or silicone may be used to secure the countertop, but will make it very difficult to remove in the future to replace panels or disassemble the kitchen.*

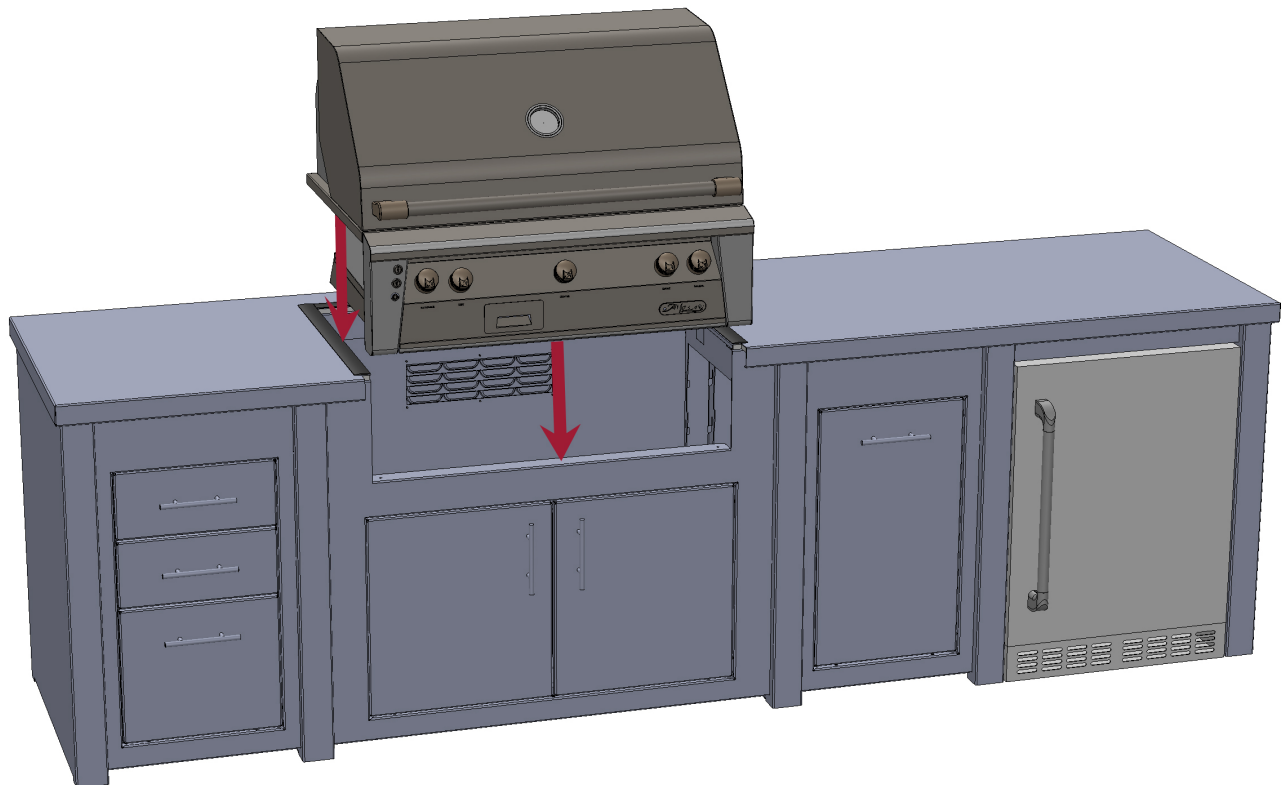


Appliance Installation

Your countertop will be pre-cut to the specifications provided for your specific appliances. Gasketing will be provided around the perimeter of the cutouts to create a seal between the appliance and the countertop.



Following any specific instruction provided by the manufacturer, install your appliances into the countertop, as shown.



Operation & Maintenance

To ensure a lifetime of use, and extend the longevity and beauty of your product, we recommend regular care and cleaning of your Outdoor Kitchen.

Routine cleaning can be accomplished by rinsing away dirt and debris, and then gently wiping with a damp, non-abrasive cloth or sponge using warm water. Towel drying will help prevent water spotting. If additional cleaning is necessary, mild household cleaners can be used. The use of solvents or abrasive cleaners may damage the product's finish, always test any cleaning solution in an inconspicuous area before applying to the entire product.

Storing objects on the surface for extended periods of time may trap moisture and debris, and dis-color or damage the finish.

Placing hot items directly on any surface of your outdoor kitchen may damage the finish. Hot ashes and exposure to ash debris over long periods of time may also cause damage.

Appliance and stainless steel cleaning solvents should never come in contact with your outdoor kitchen surface. Spray the solvent onto a cloth and wipe only on the appliance surface to help eliminate overspray.

Light or superficial scratches to the finish are likely to occur during normal use and do not affect the integrity of the product. Using your outdoor kitchen surfaces as a cutting board for food, or sliding items such as grilling tools, utensils, and abrasive or ceramic items across the surface may also cause wear and tear.

Warranty

Your Stoll Products are covered by a 7 year limited warranty. For more information, please visit www.stollindustries.com/resources. All warranty claims must be placed through your local dealer.



WARNING

This product can expose you to chemicals including Carbon Black, which is known to the state of California to cause Cancer. For more information go to www.P65Warnings.ca.gov