



Installation & User Guide

Installer please leave this with homeowner



Standard Outdoor Kitchens *Assembly & Installation*

Thank You!

Thank you for purchasing your new outdoor kitchen. This manual will guide you through unboxing, assembly, and installation of your selected model, including optional add-ons. Please read through all steps before beginning installation.

Important Disclaimer

- Before beginning installation or assembly, it is essential to read this entire manual thoroughly. The steps must be followed in the exact order provided. If assembled out of sequence, parts may not fit correctly, and the kitchen may not come together as intended, requiring disassembly and potential damage to the product.

Table of Contents

• Introduction.....	2
• Kitchen Models Overview	2
• Tools Required.....	3
• Step 1: Unboxing & Assembly Instructions.....	4
• (A) Unpacking the Island	4
• (B) Palmetto / Savannah / Piedmont Assembly.....	4
• Step 2: Add-On Assembly	5-8
• (C) L-Shape Add-Ons	5
• (D) Accessory Panel Add-On.....	6
• (E) Floor Panel Install.....	7
• (F) Shelf Install	7
• (G) Ceramic Grill Base Add-On.....	8
• Step 3: Leveling the Kitchen	8-9
• (H) Leveling	8
• (I) Tie Down Straps	9
• Step 4: Fridge Bar Adjustment	9
• Step 5: Countertop Installation	10
• Step 6: Grill/Griddle Installation	10

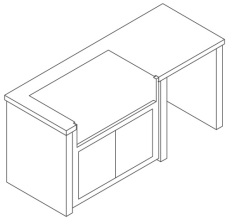
Tools Required

- Power drill or driver.
- Phillips head bit.
- Rubber Mallet.
- Level.
- Utility knife or box cutter.
- Measuring tape.
- 9/16” wrench, socket, or ratchet; optional drill extension bar for improved reach.

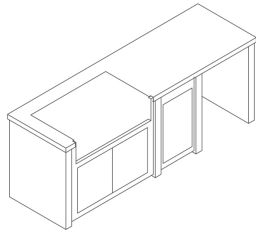
Standard Kitchen Models

Model	Width	Grill Layout Options	Assembly
Magnolia	77"w	Grill Left, Grill Right	Fully Assembled
Palmetto	98"w	Grill Left, Grill Centered, Grill Right	Partially Assembled
Savannah	119"w	Grill Left, Grill Centered, Grill Right, Grill & Griddle	Partially Assembled
Piedmont	140"w	Grill Left, Grill Centered, Grill Right, Grill & Griddle	Partially Assembled

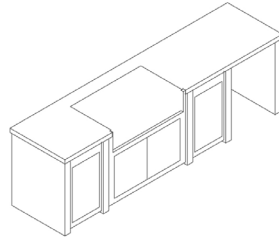
Magnolia



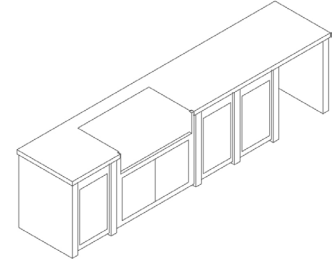
Palmetto



Savannah

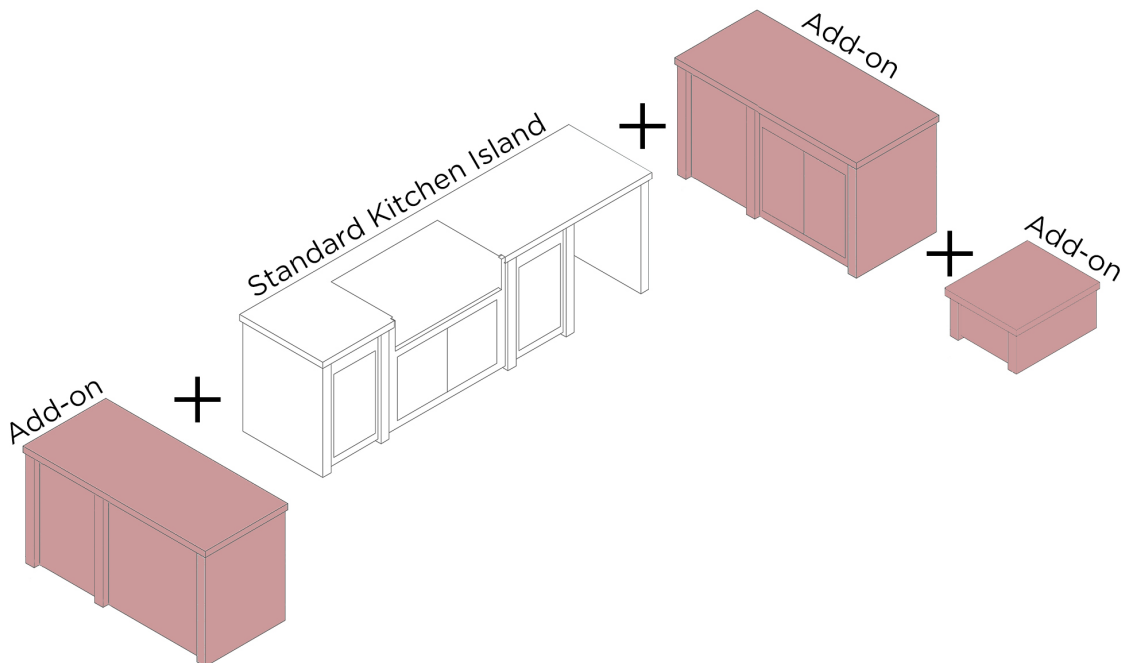


Piedmont



Add-ons

Model	Width	Options
L Shape #1 (Access Doors)	66"w	SAL001L, SAL001R
L Shape #2 (Fridge Section)	57"w	SAL002L, SAL002R
Accessory Panel (Access Door & Shelf) <i>**Replaces a fridge section either in main island or L shape add-on #2**</i>	24"w	SAOPTL, SAOPTR
Ceramic Grill Base	30"w	SADRP



Step 1: Unboxing & Assembly Instructions

(A) Unpacking the Island

- A-1 Unbox the Island and remove the protective plastic and shipping blankets.
- A-2 Gently lift the countertop off of the kitchen and place it aside. The additional boxes located on the pallet (if applicable) include the fridge section and any additional countertops. Place the fridge and countertop boxes aside.
- A-3 Remove the screws from the shipping brackets that are securing the island to the wooden pallet. Carefully lift the island off of the pallet and move it to the desired location.

Note: The 77" Magnolia Island comes fully assembled. The 140" Piedmont Island is delivered in separate sections stacked on the pallet.



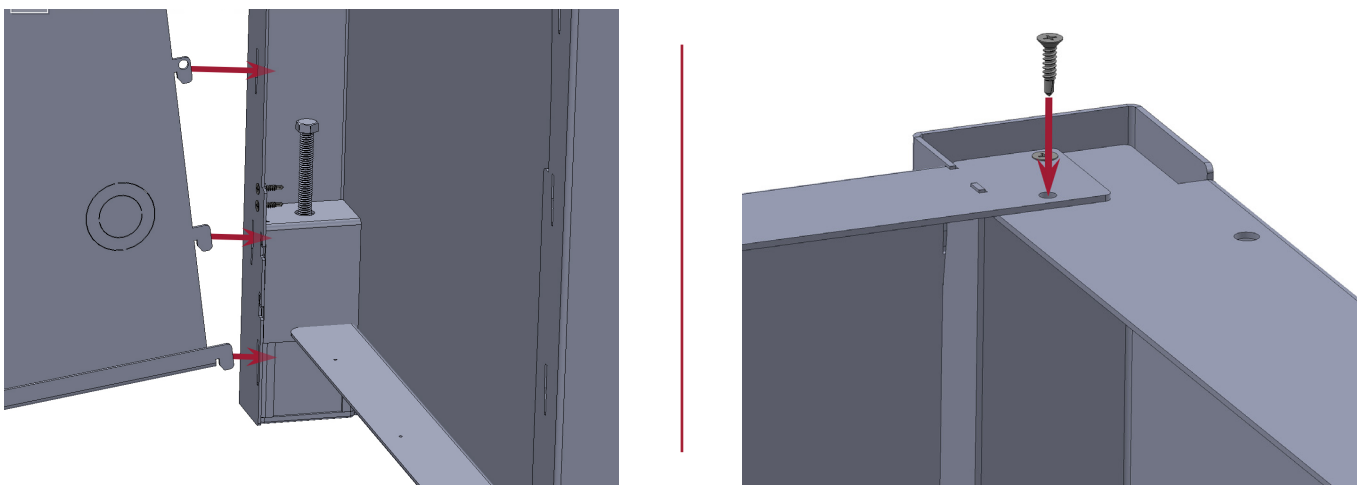
(B) Palmetto/Savannah/Piedmont Assembly

- B-1 Unbox the fridge section which includes:
 - (3) Fridge Bars, (1) Back panel, (1) End Vertical.

***If you purchased a Grill & Griddle option of the Savannah or Piedmont, the Fridge section will be installed in between the other two sections instead of at the end.*

- B-2 With the panel at a slight angle, insert the tab system into the corresponding slots of the adjoining section. Push the panel down to lock the tabs in place. Use a rubber mallet if necessary.
- B-3 Using the provided screws, secure the connecting tab at the top of the back panel to the end of the existing kitchen. To ensure proper alignment, the locking tabs should be visible through the aligning cutouts.

Note: Islands and add-ons with a fridge section include three fridge bars in different sizes: 1½", 2½", and 3½". You can temporarily install any fridge bar to help stabilize the end vertical, especially when adding sections. The 77" Magnolia Island ships with the 1½" fridge bar pre-installed, and the other two are packaged in the grill area. Keep all three fridge bars accessible for Step 4.



- *If you purchased any add-on options, proceed to step 2.*
- 4 • *If you did not purchase any add-on options, skip to step 3 for leveling your island.*

Step 2: Add-On Assembly

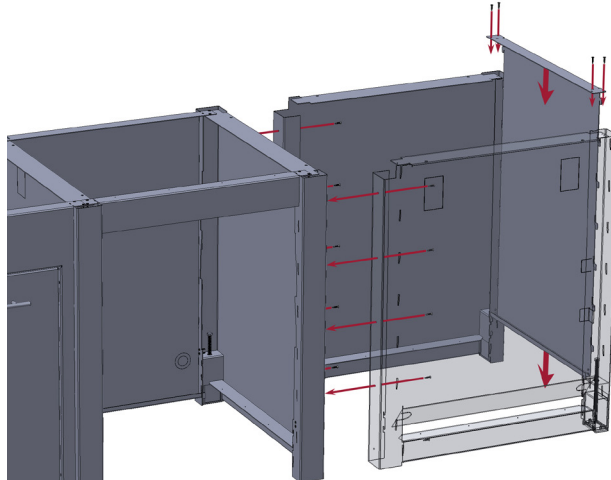
(C) L Shape Add-Ons

L Shape #1

- Unbox the Add-On which includes:
 - (3) End Verticals
 - (1) Face Panel with SAL001
 - (2) Back Panels
 - (1) Shelf
 - (1) Countertop
- C-1 Place the End Verticals flush against the end panel of the main island. Using the provided screws, secure the end verticals to the main island through the pilot holes. Install the 23" wide back panel, as shown. (Reference step B 2-3)

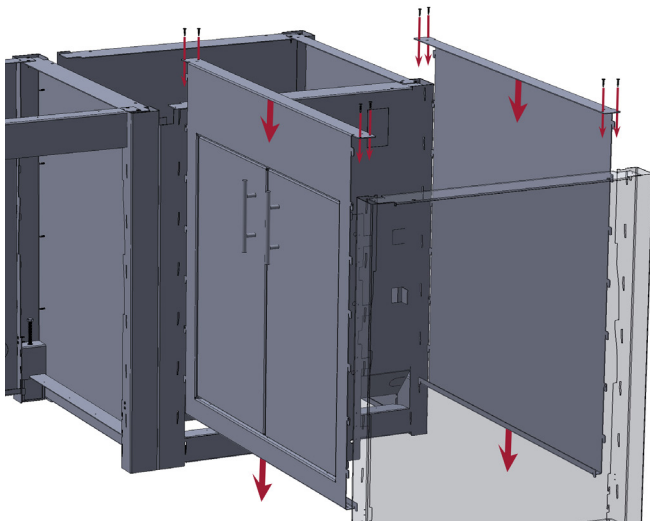
L Shape # 2

- Unbox the Add-On which includes:
 - (3) End Verticals
 - (3) Fridge Bars
 - (2) Back Panels
 - (1) Countertop

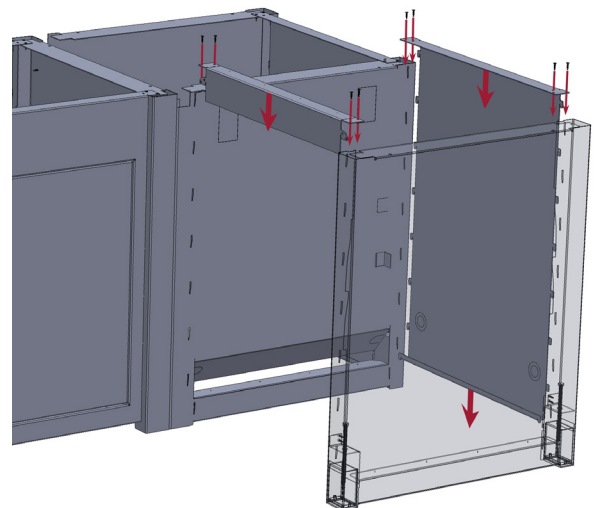


- C-2 Install the last end vertical, back panel, and the face panel (or fridge bar) of the add on, as shown. (Reference B 2-3)

Access Doors



Fridge Section



- C-3 Remove the handles from the back of the access doors and re-install them on the front.

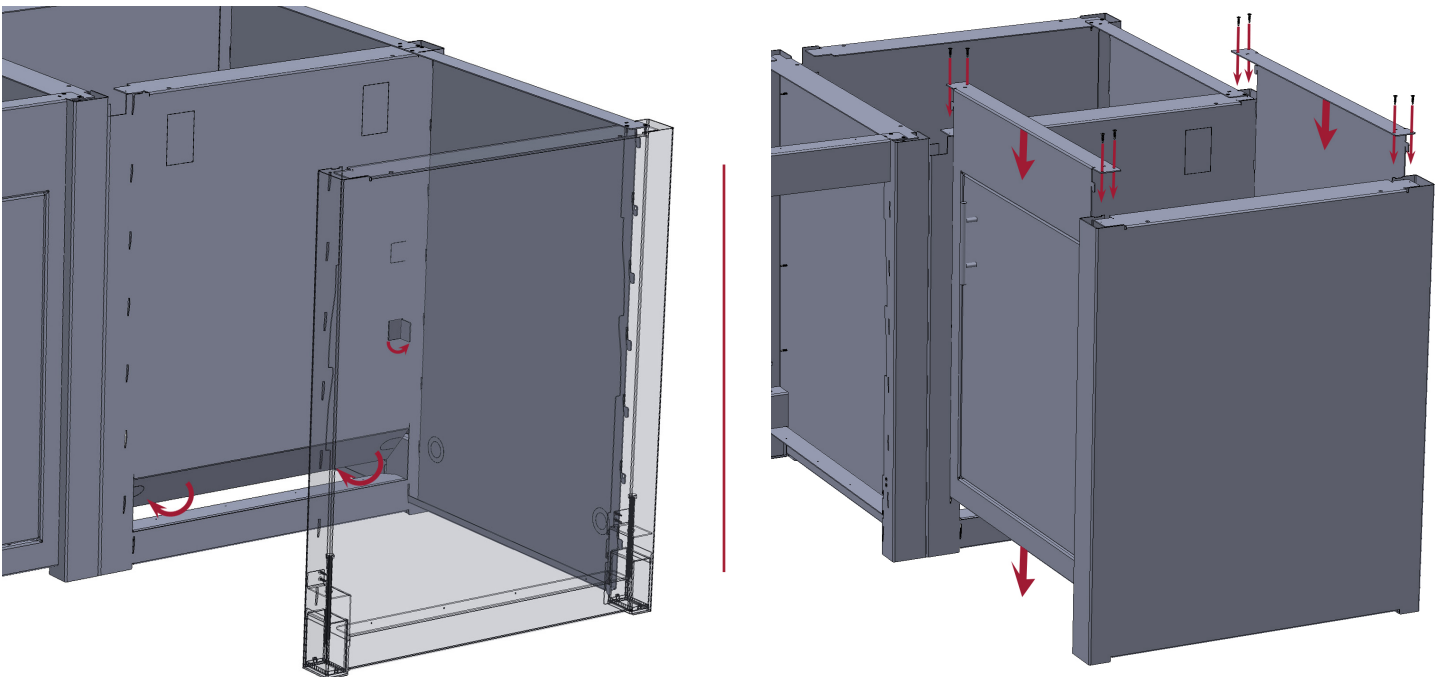
****If the access doors need adjustment see step D-6.**

- **If you purchased the access doors add-on, proceed to step (E) for the floor panel installation.**
- **If you purchased the fridge section add-on, proceed to step (D) for the accessory panel installation.**

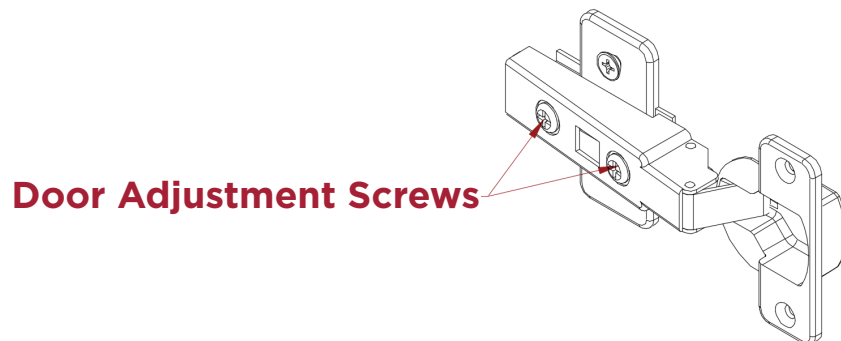
(D) Accessory Panel (SAOTP24)

**This add-on can either replace the default fridge section in the main island or be installed into the fridge section of Add-on #2.*

- D-1 Unbox the Accessory panel which includes:
 - (1) Face Panel with SAOTP24L or SAOPT24R Access Door
 - (1) Shelf
 - (3) Floor Panels
- D-2 As needed, carefully remove the countertop and fridge bar and set them aside.
- D-3 The fridge vertical includes (2) shelf tabs. Bend the tab (at the height of your choosing) towards the inside of the cabinet, and bend the floor tab outward, as shown below.
- D-4 Install the face panel with the access door, as shown. (Reference B 2-3)
- D-5 Remove the handle from the back of the access door and re-install it on the front.



- D-6 As needed, adjust the door(s) by using a Phillips head screwdriver to turn the hinge adjustment screws.

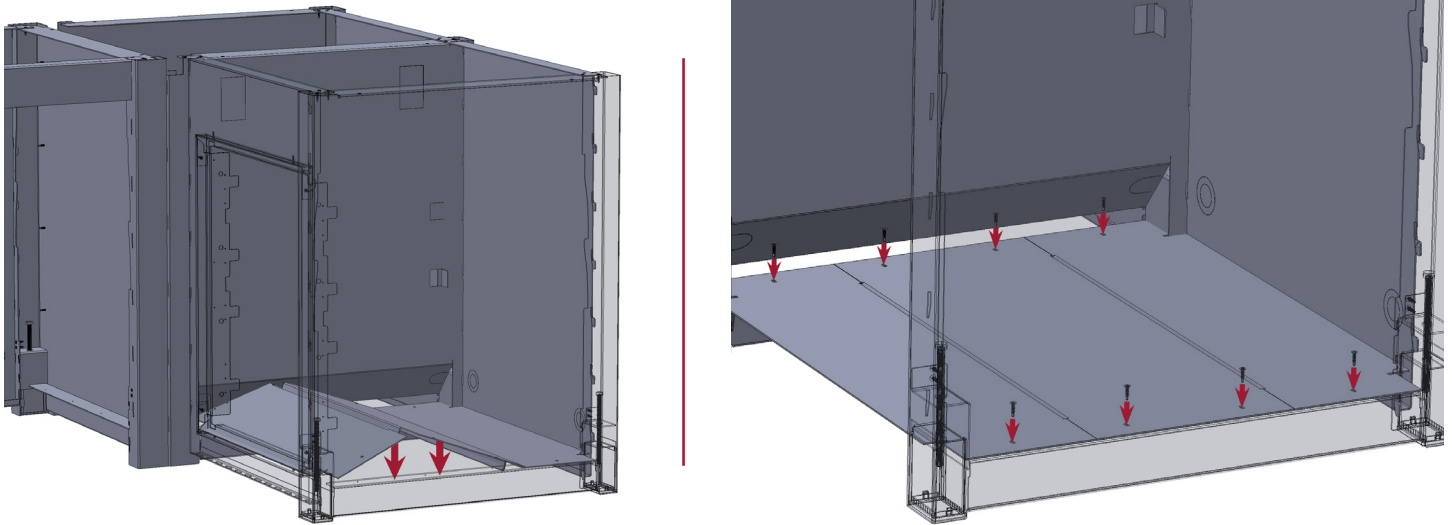


- D-7 Proceed to step (E) for the floor panel installation.

(E) Floor Panel Install

**This section only applies for Add-ons with Access Doors.*

- E-1 The floor system consists of three panels: Back, Middle, and Front. It is essential to install these in the correct order to ensure they lock together smoothly.
- E-2 Place the back panel flat inside the frame, ensuring it is flush against the rear wall of the cabinet structure. Confirm that it is fully seated before proceeding.
- E-3 Position the middle and front panels at a slight upward angle, as shown below. Once aligned, apply pressure at the seam and lower both panels simultaneously.
- E-4 Using the provided screws, secure the floor panels in place, as shown.

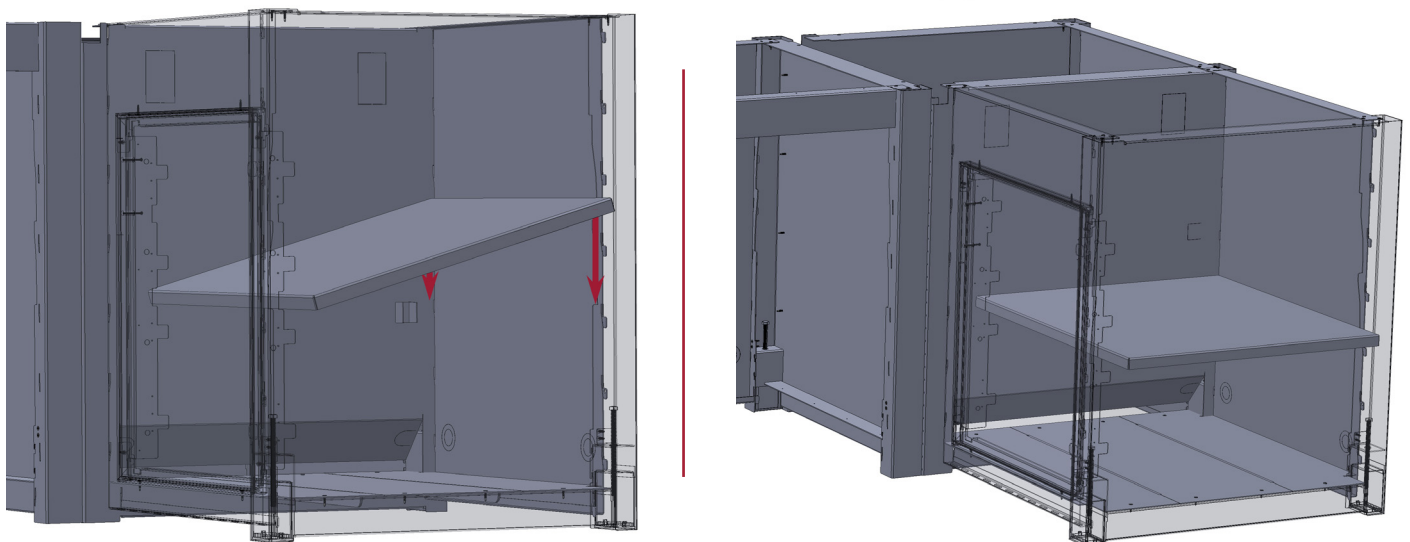


****Tip:** *If the panels do not drop in easily, check for obstructions at the edges.*

(F) Shelf Install

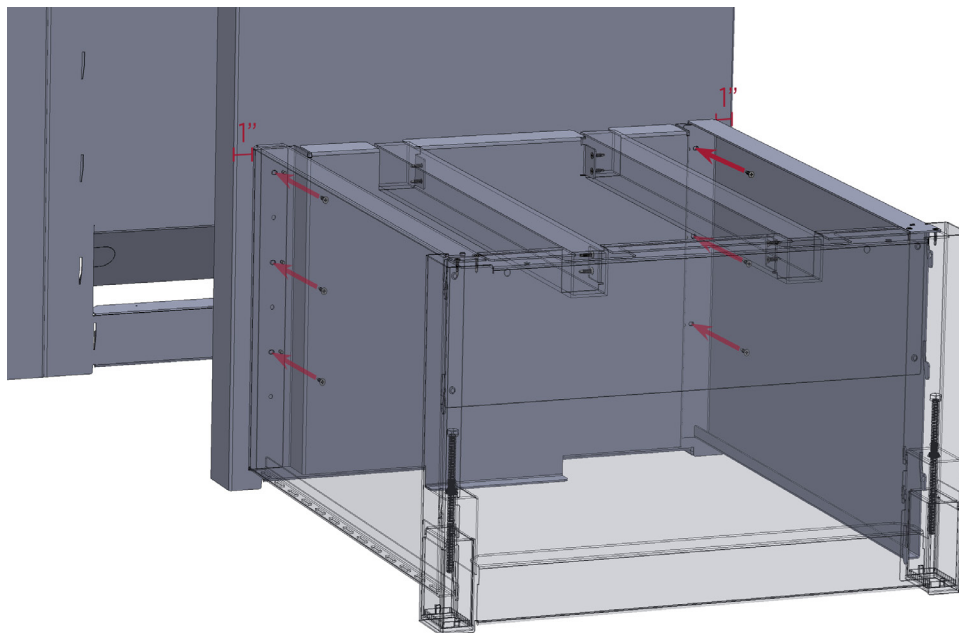
**This section only applies for Add-ons with Access Doors.*

- F-1 The shelf installation should only be done once the floor panels are fully installed.
- F-2 Lower the shelf onto the support tab and corresponding support flanges, as shown.



(G) Ceramic Grill Base Add-On

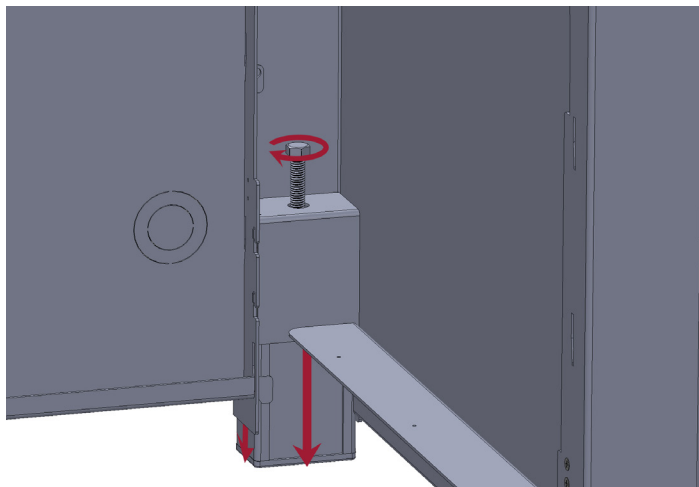
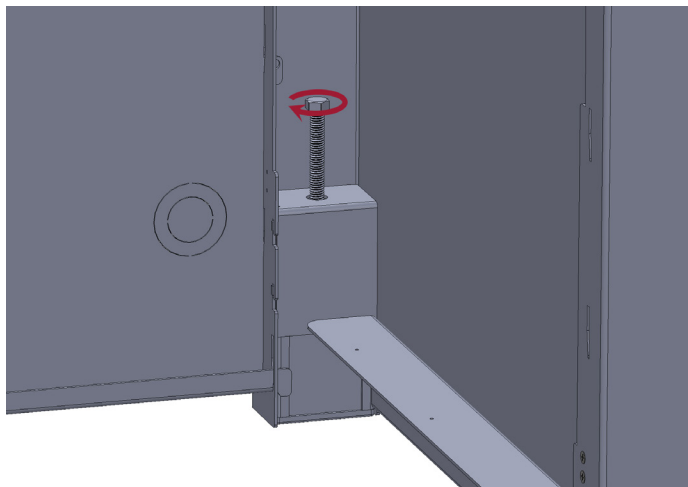
- G-1 Unbox the Add-On which includes:
 - (1) Pre-assembled Ceramic Grill Base Drop-down section
 - (1) Countertop
- G-2 Center the ceramic grill base on the end of the island, as shown below.
- G-3 Fasten the ceramic grill base section to the end vertical through the pilot holes located inside the ceramic grill section.



Step 3: Leveling The Outdoor Kitchen

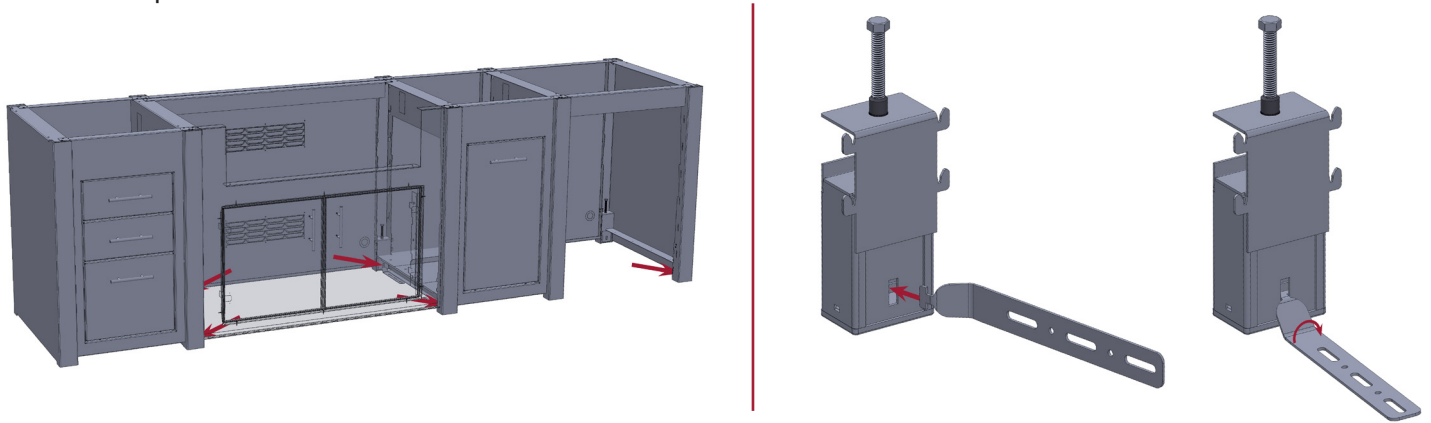
(H) Leveling

- H-1 Each vertical includes leveling leg assemblies installed at both the front and back.
- H-2 Place a level on top of the outdoor kitchen. Using a 9/16" socket with your preferred driver, turn the bolt on each leveling leg to raise or lower them as needed. Adjust each leg individually until the entire island is level.



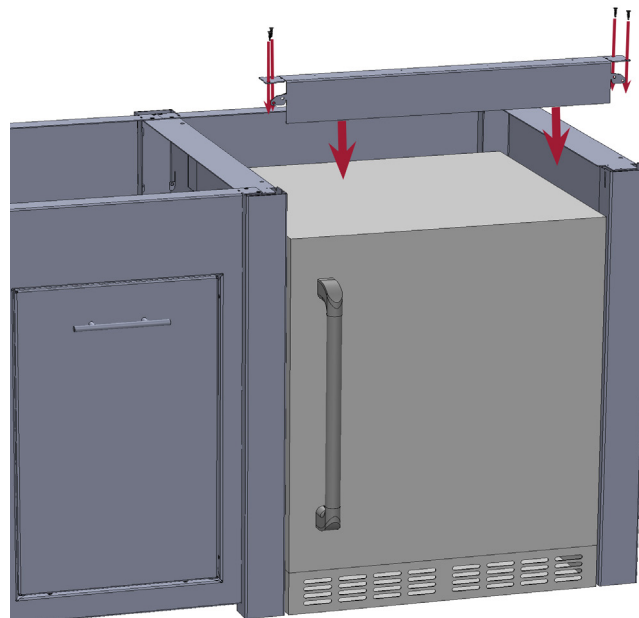
(I) Tie Down Straps **Optional**

- I-1 Each outdoor kitchen includes tie down straps. These can be used at the discretion of the installer, and are not required.
- I-2 For best results, attach the tie-down straps to the four leveling legs of the grill section, as shown. For additional sturdiness, a tie down strap may also be installed on the end vertical of the fridge section.
- I-3 Remove the the three floor panels in the grill section. Using a screwdriver, remove the punchout on the leveling leg. Insert the tie down straps into the punchout, as shown. Using appropriate fasteners (not included), secure the tie down straps to your deck or hardscape.



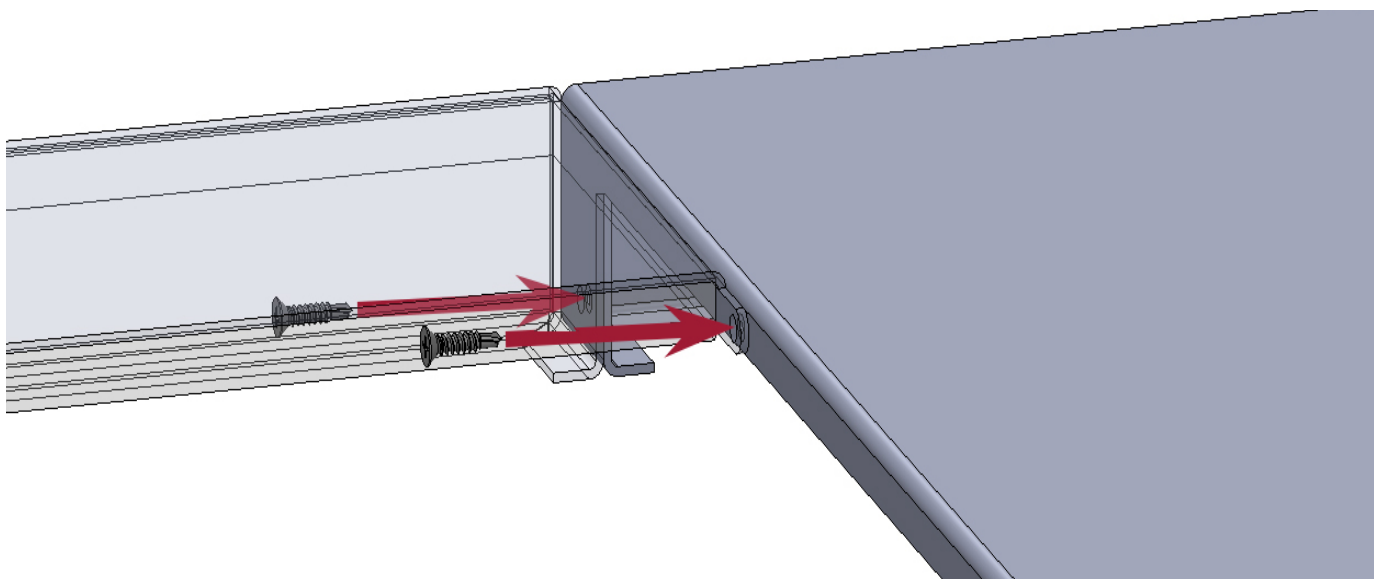
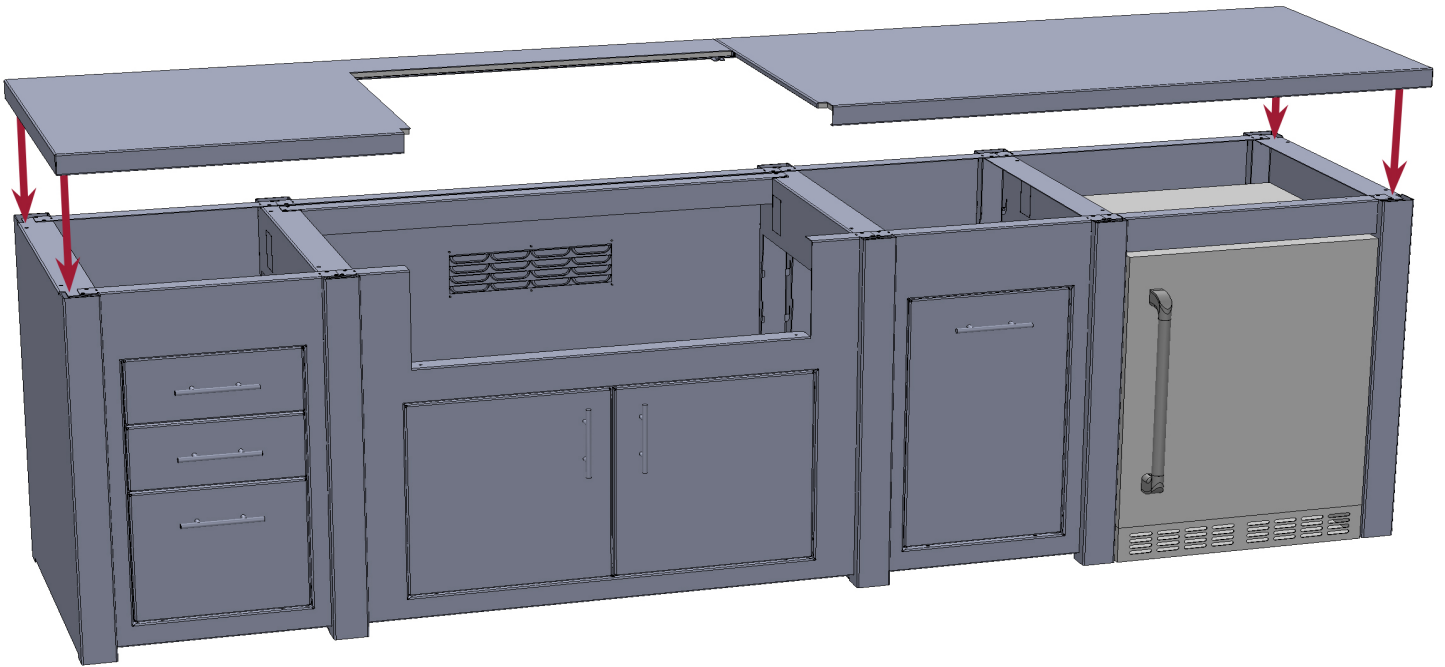
Step 4: Fridge Installation

- J-1 Each fridge section includes three fridge bars: 1 ½", 2 ½", 3 ½". If one was temporarily installed as a placeholder in Step 2, it may need to be removed if the fridge does not have sufficient clearance.
- J-2 Place the fridge into the designated section and level the fridge as needed.
- J-3 Measure from the top of the fridge to the top surface of the outdoor kitchen and choose the appropriately sized fridge bar. Using the provided fasteners, install the fridge bar, as shown. (Reference B 2-3) Any remaining fridge bars may be discarded.



Step 5: Countertop Installation

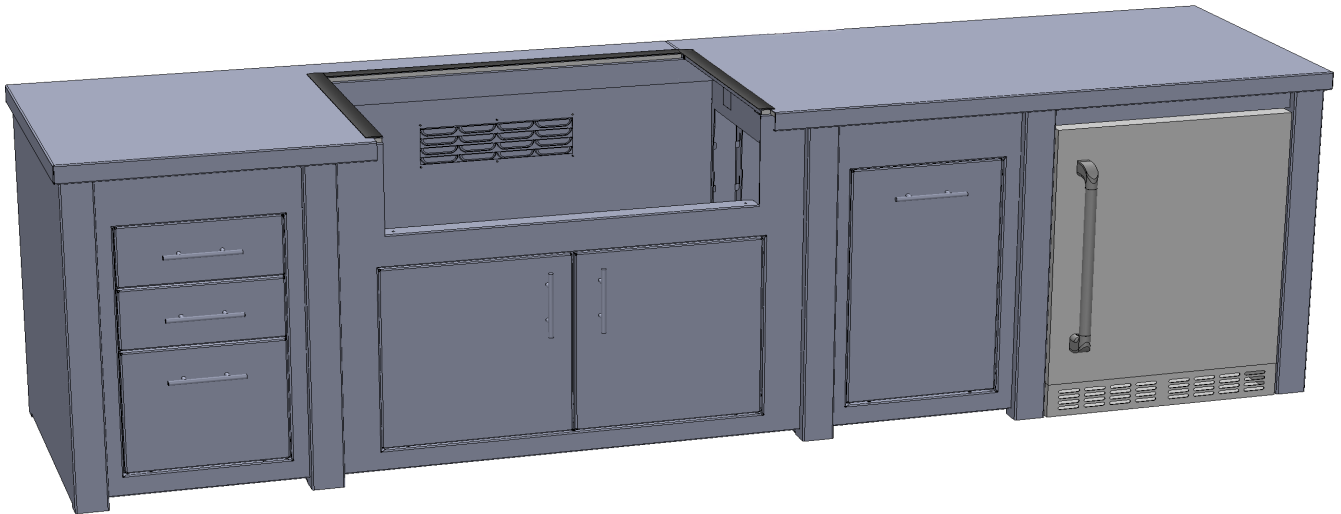
- K-1 Unbox all countertops.
- K-2 Carefully lower the countertops onto the outdoor kitchen base. Using the provided screws, secure the countertop sections together through the built-in attachment tabs, as shown below. For add-on sections, which do not include attachment tabs, fasten them to the main island countertop by driving screws through the 2" return flange from inside the island.



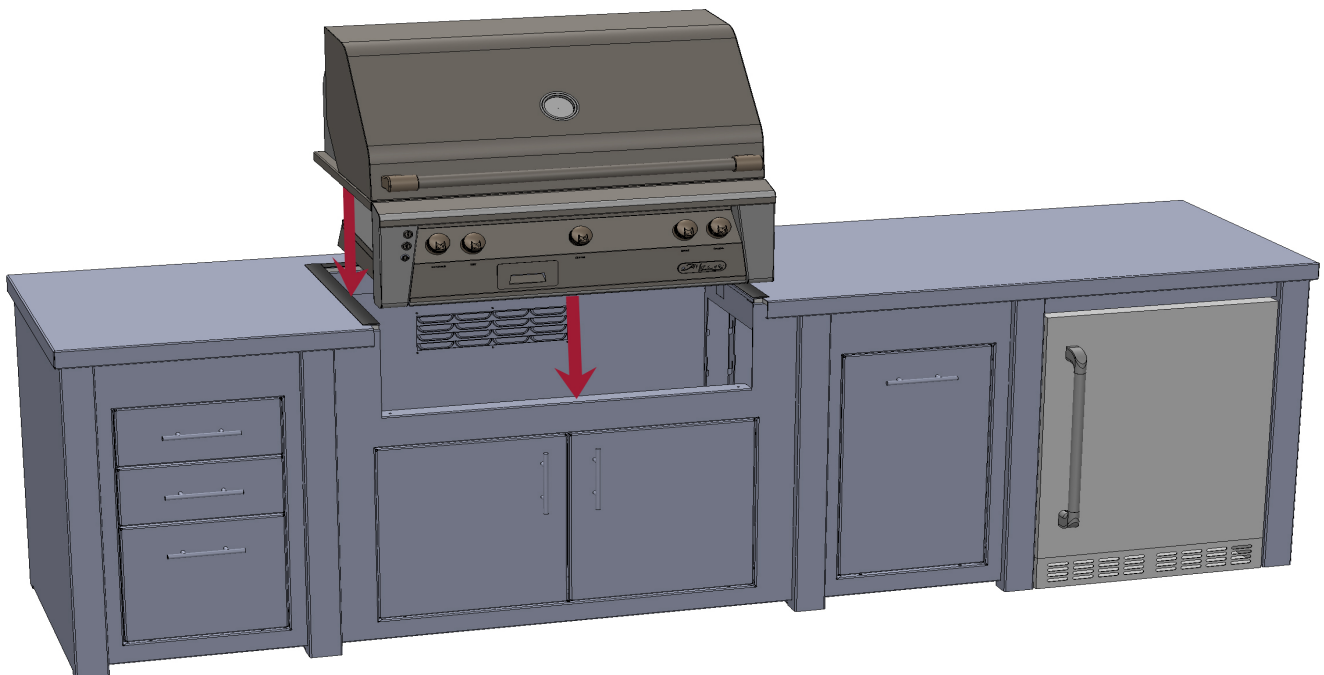
***Note: Glue or silicone may be used to secure the countertop to the island base.*

Step 6: Grill/Griddle Installation

- L-1 Locate the countertop gasket in the same plastic bag as the install manual.
- L-2 Measure and cut strips of the gasketing to line the perimeter of your grill cutout.
- L-3 Peel away a few inches of the protective plastic liner on the back of the gasketing. As you peel, press the exposed adhesive side of the gasketing firmly onto the countertop along the perimeter of the cutout. Be careful not to stretch the gasketing as you apply it.



-
- L-4 Gently lower your grill/griddle onto the gasketing and into the opening, as shown. Ensure that the grill/griddle is fully seated in the correct position before continuing.



- L-5 Using a utility knife or box cutter, carefully cut and remove any exposed gasketing. Be careful not to scratch the countertop, as this could damage the finish.

Operation & Maintenance

To ensure a lifetime of use, and extend the longevity and beauty of your product, we recommend regular care and cleaning of your Outdoor Kitchen.

Routine cleaning can be accomplished by rinsing away dirt and debris, and then gently wiping with a damp, non-abrasive cloth or sponge using warm water. Towel drying will help prevent water spotting. If additional cleaning is necessary, mild household cleaners can be used. The use of solvents or abrasive cleaners may damage the product's finish, always test any cleaning solution in an inconspicuous area before applying to the entire product.

Storing objects on the surface for extended periods of time may trap moisture and debris, and dis-color or damage the finish.

Placing hot items directly on any surface of your outdoor kitchen may damage the finish. Hot ashes and exposure to ash debris over long periods of time may also cause damage.

Appliance and stainless steel cleaning solvents should never come in contact with your outdoor kitchen surface. Spray the solvent onto a cloth and wipe only on the appliance surface to help eliminate overspray.

Light or superficial scratches to the finish are likely to occur during normal use and do not affect the integrity of the product. Using your outdoor kitchen surfaces as a cutting board for food, or sliding items such as grilling tools, utensils, and abrasive or ceramic items across the surface may also cause wear and tear.

Warranty

Your Stoll Products are covered by a 7 year limited warranty. For more information, please visit www.stollindustries.com/resources. All warranty claims must be placed through your local dealer.



WARNING

This product can expose you to chemicals including Carbon Black, which is known to the state of California to cause Cancer. For more information go to www.P65Warnings.ca.gov