

## Hood Features:

- Flared edges allow for soft or dramatic contours
- Custom built to your specifications

## Details

- 14ga steel
- If a fan/hood liner is desired, please send us the make, model, and spec sheet for your liner.



ST1300 range hood

## Frame Materials

- Steel ✓
- Stainless Steel ✓

## Additional Options

- Vent Chase (ST1310) ✓
- Hood Liner (Fan) may be provided by customer ✓

## Banding & Accents

- None(default) ✓
- Flat Banding ✓
- Forged Banding ✓
- Aged Banding ✓
- Old World Accents ✓
- Transitional Accents ✓

## Additional Info:

- None(default) ✓
- Modern Rivets ✓
- Rustic Rivets ✓

## Banding Details

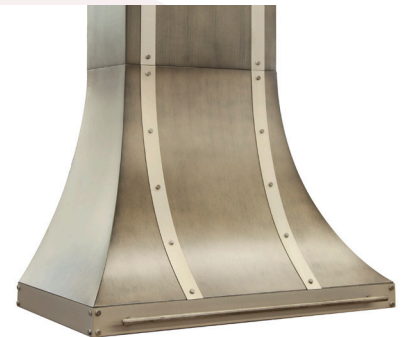
- Banding available as vertical or horizontal
- Available in 1", 1.25", 1.5", & 2" width
- Priced per Band/Accent

## Rivet Details

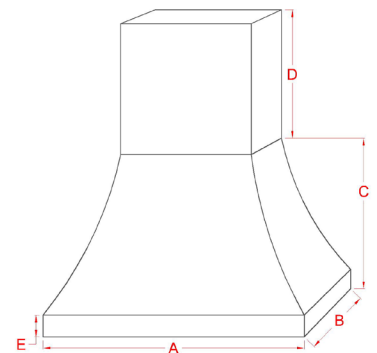
- Size not adjustable
- Priced per rivet



Brushed Stainless with Banding & Rivets



Antique White w/ Antique Steel Banding & Rivets



Shown with optional vent chase

## Finishes

The following finishes are available for the ST1300 Range Hood.

### Standard Finishes

Matte Black	✓
Textured Black	✓
Bronzed Iron	✓
Oil Rubbed Bronze	✓
Charcoal	✓
Aspire Rust	✓
Weathered Brown	✓
Champagne	✓
Copper Vein	✓
Silver Vein	✓
Silver Mist	✓
Clear Natural	✓
<i>Forged/Aged banding only</i>	

### Premium Finishes\*

Antique Black	✓
<i>only available for frame and flat banding</i>	
Antique Steel	✓
<i>only available for frame and flat banding</i>	
Antique Red	✓
Antique Grey	✓
Antique Bronze	✓
Antique White	✓
Burnished Bronze	✓
Burnished Copper	✓
Burnished Silver	✓
Metallic Latte	✓
Rust Patina	✓
Hot Roll Natural	✓
Industrial Black	✓

### Solid Finishes\*

Aged Copper	✓
<i>only available for flat banding</i>	
Aged Brass	✓
<i>only available for flat banding</i>	
Newport Brass	✓
<i>only available for flat banding and modern rivets</i>	
Brushed Stainless	✓
<i>only available for frame and flat banding</i>	
Polished Stainless	✓
<i>only available for flat banding and modern rivets</i>	
Polished Nickel	✓
<i>only available for flat banding and modern rivets</i>	