



nolita



Nolita Features:

- One of a kind steel and aluminum frame
- Seamless Construction
- Soft Close Hinges
- Custom Sizes

Frame Details

- *Frame Material:* 7ga steel
- *Door Material:* Extruded Aluminum
- *Regular Frame:* 2.25" Frame Panel Width
Hidden Frame: 1/2" Frame Panel Width
- 3/16" Frame Depth

M - Masonry Fireplaces
ZC - Zero Clearance/Manufactured Fireplaces
RF - Stoll Reface for Manufactured Fireplaces

Frame Styles

| | |
|----------------------|---|
| Rectangle | ✓ |
| Arch | X |
| Arch Conversion | X |
| Arch Top Add-On | X |
| Side Light & Transom | X |
| Corner Door | ✓ |

Door Styles

| | |
|----------------------|---|
| Bi-fold | X |
| Clearview | X |
| Centerbar | X |
| Centerbar All Panels | X |
| Cabinet | ✓ |
| Clearview | ✓ |
| Centerbar | ✓ |
| Totalview | X |
| Single Hinge | ✓ |



Hidden Frame & Brite Nickel Doors

Damper Styles

| | |
|-----------------|---|
| None | ✓ |
| Damper Assembly | ✓ |

Additional Info:

- Bi-fold n/a



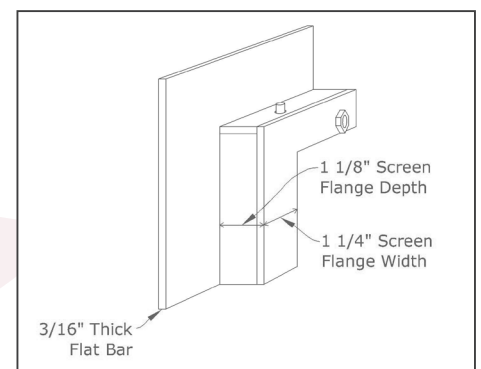
Frame Detail

Upgrade Options*

| | |
|--------------------------------|---|
| Pyro Ceramic Glass | X |
| Child Proof Lock(Key Lock) | X |
| Airwash | ✓ |
| Airseal Option: <i>Bifold</i> | X |
| Airseal Option: <i>Cabinet</i> | X |

Upgrade info:

- Pyro Ceramic option allows for doors to be closed when burning.



Main Frame Profile

Decorative Designs & Hardware

The following decorative designs and hardware options may be applied to the Nolita Door.

Decorative Designs*

| | |
|-------------------------|---|
| Arch Window Pane | X |
| Arch Door Design | X |
| Arch Door & Window Pane | X |
| Window Pane | X |
| C-Pane | X |
| Expedition Pane | X |
| X Design | X |
| Mission Pane | X |
| Rustic Window Pane | X |

Mesh

| | |
|----------------|---|
| Cabinet | X |
| Single Mesh | X |
| Pull Ring Mesh | X |
| Hanging Mesh* | ✓ |

Hinges

| | |
|-------------------|---|
| Traditional | X |
| Bullet | X |
| Strap | X |
| Inset | X |
| Hidden Bullet | X |
| Hidden Soft-close | ✓ |
| European | X |

Handles

| | |
|--------------|---|
| Square | X |
| Wire | X |
| Contemporary | X |
| Decorative | X |
| Designer | X |
| Strap | X |
| Bamboo | X |
| Hampton | X |
| Knob | X |
| Craftsman | X |
| Old World | X |
| Blacksmith | X |
| Industrial | X |

Finishes

The following finishes are available for the Nolita Door.

Standard Finishes

| | |
|-------------------|---|
| Matte Black | ✓ |
| Textured Black | ✓ |
| Bronzed Iron | ✓ |
| Oil Rubbed Bronze | ✓ |
| Charcoal | ✓ |
| Aspire Rust | ✓ |
| Weathered Brown | ✓ |
| Champagne | ✓ |
| Copper Vein | ✓ |
| Nickel Vein | ✓ |
| Vintage Vein | ✓ |
| Silver Vein | ✓ |
| Silver Mist | ✓ |
| Clear Natural | X |
| White | ✓ |

Premium Finishes*

| | |
|------------------|---|
| Antique Black | ✓ |
| Antique Steel | ✓ |
| Antique Red | ✓ |
| Antique Grey | ✓ |
| Antique Bronze | ✓ |
| Antique White | ✓ |
| Burnished Bronze | ✓ |
| Burnished Copper | ✓ |
| Burnished Silver | ✓ |
| Metallic Latte | ✓ |
| Rust Patina | ✓ |
| Hot Roll Natural | X |
| Industrial Black | ✓ |

Anodized Finishes

Door frame only

| | |
|----------------|---|
| Brite Copper | ✓ |
| Brite Nickel | ✓ |
| Brushed Brass | ✓ |
| Vintage Brass | ✓ |
| Vintage Copper | ✓ |
| Vintage Nickel | ✓ |

Plated Finishes*

| | |
|-----------------|---|
| Dark Pewter | X |
| Brushed Nickel | X |
| Polished Nickel | X |
| Black Nickel | X |
| Antique Copper | X |
| Aged Copper | X |
| Antique Brass | X |
| Satin Brass | X |
| Aged Brass | X |

*may require additional upcharge

see component guide for further details